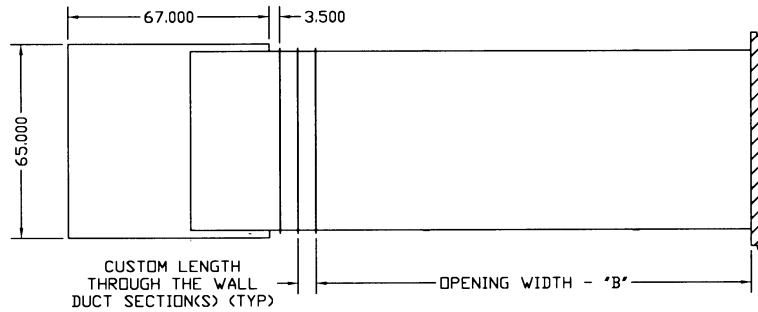
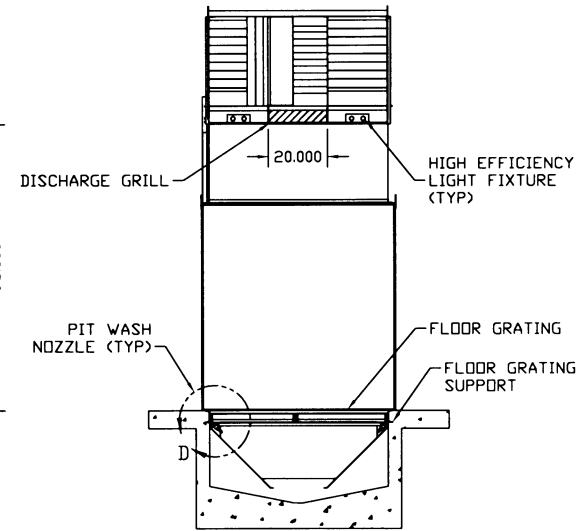
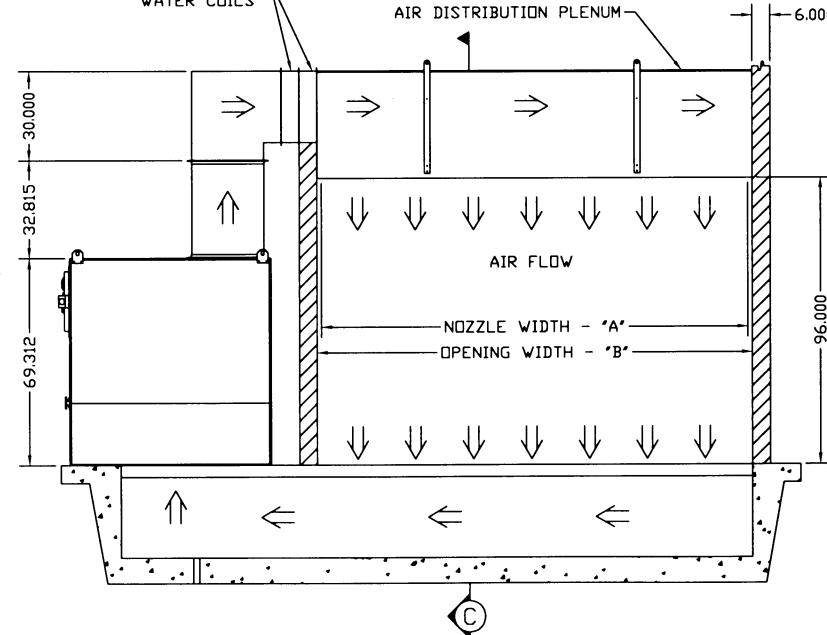
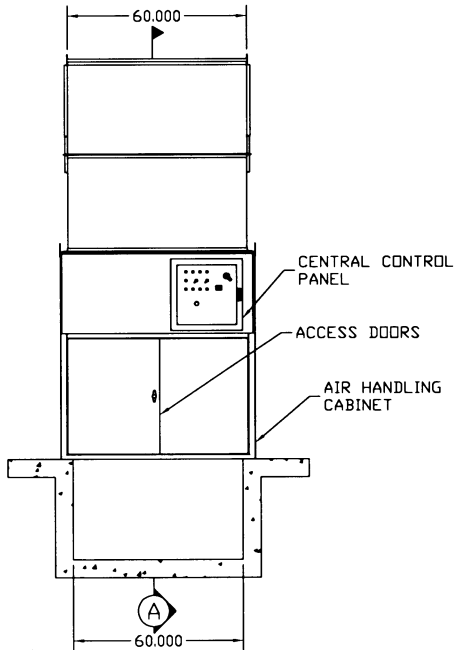


PIT WATER WASH NOZZLE  
DETAIL D  
SCALE 1 : 8



TRANSITION DUCT OR OPTIONAL  
HOT WATER/STEAM/DX/CHILLED  
WATER COILS

AIR DISTRIBUTION PLENUM



SECTION C-C

| MODEL      | NOZZLE WIDTH "A" | OPENING WIDTH "B" |
|------------|------------------|-------------------|
| AE S-1-008 | 96.000           | 99.000            |
| AE S-1-009 | 108.000          | 111.000           |
| AE S-1-010 | 120.000          | 123.000           |
| AE S-1-011 | 132.000          | 135.000           |
| AE S-1-012 | 144.000          | 147.000           |
| AE S-1-013 | 156.000          | 159.000           |
| AE S-1-014 | 168.000          | 171.000           |
| AE S-1-015 | 180.000          | 183.000           |
| AE S-1-016 | 192.000          | 195.000           |

### INSTALLATION NOTES:

- (INSTALLATION BY OTHERS)
1. INSTALL ALL AIR ENTRANCE EQUIPMENT IN ACCORDANCE WITH MANUFACTURER'S PUBLISHED INSTRUCTIONS AND INSTALLATION DRAWINGS.
  2. FIELD VERIFY DIMENSIONS
  3. ANCHORS TO SUPPORTING STRUCTURE BY OTHERS.
  4. ADEQUACY OF SUPPORTING STRUCTURE TO BE VERIFIED BY STRUCTURAL ENGINEER.
  5. EXTERNAL CONNECTIONS TO UTILITIES (GAS PIPING, ELECTRICAL, WATER PIPING, FLUES, DRAINS, ETC.) BY OTHERS.

### GENERAL NOTES:

EFFICIENT OPERATION OF AIR ENTRANCE SYSTEM REQUIRES BUILDING TO BE AIRTIGHT AND PRESSURE BALANCED OR SLIGHTLY POSITIVE. ANY AREA SUCH AS WAREHOUSE, SHIPPING DOCK, COMPRESSOR ROOM OR SERVICE AREA TO WHICH THE AIR ENTRANCE DOES NOT PROVIDE OPEN ACCESS MUST BE SEALED. ALL PIPES, VENTS OR DUCTS THAT LEAD FROM THE EQUALIZED AREA TO A WAREHOUSE OR STORAGE AREA MUST ALSO BE SEALED.

|           |            |   |
|-----------|------------|---|
| PROJECT   |            |   |
| LOCATION  |            |   |
| ARCHITECT |            |   |
| ENGINEER  |            |   |
| DWG. NO.  | AE SP0100  | TITLE: <b>BERNER</b>                          |
| DATE      | 26MAR01    | MODEL AES AIR CURTAIN                         |
| BY        | D. Johnson | AMBIENT SYSTEM                                |
| CHECK     |            | BERNER INTERNATIONAL CORP.<br>NEW CASTLE, PA. |
| JOB NO.   |            |   |