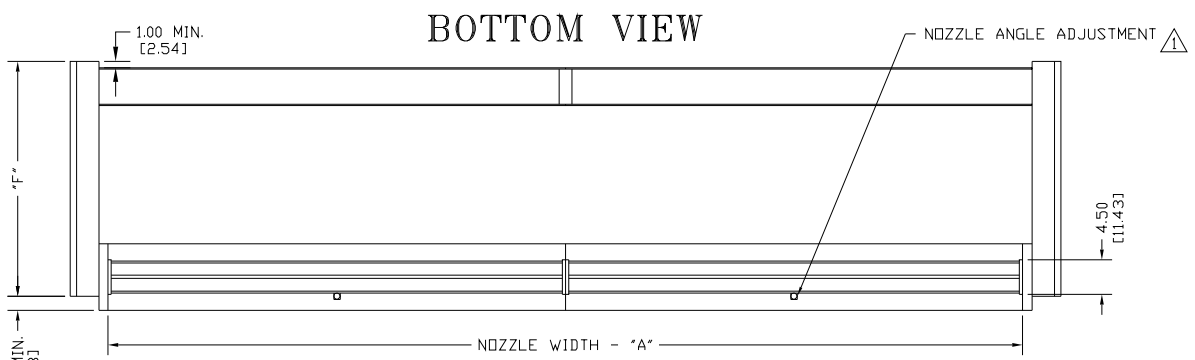
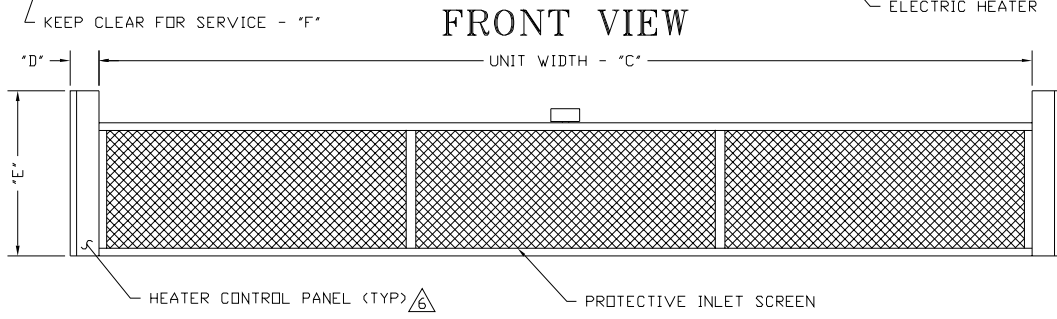
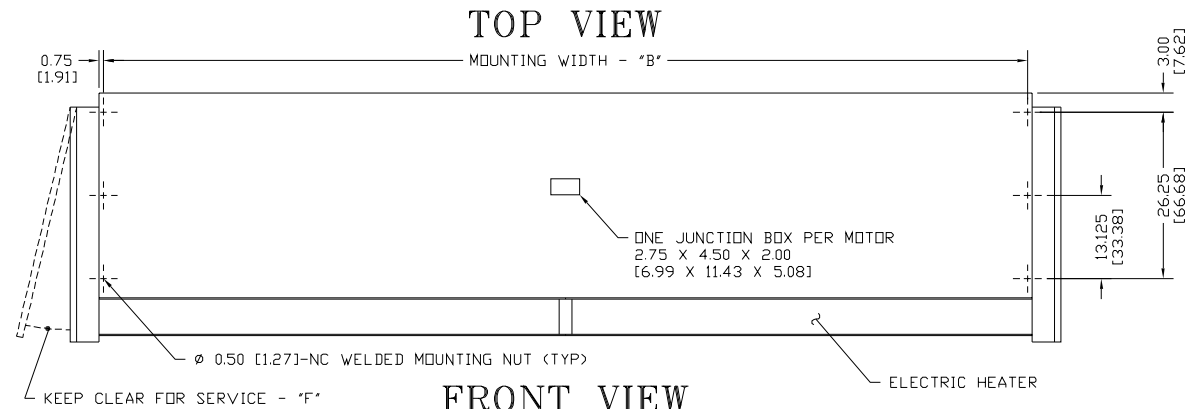
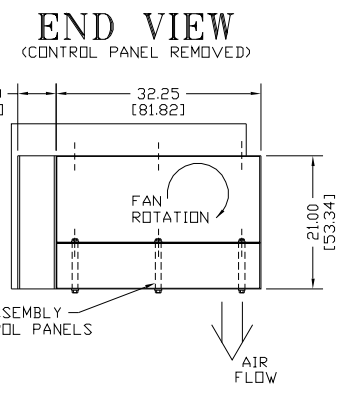


# CFA ELECTRIC HEATED TWO HEATER SYSTEM



MODEL	NOZZLE WIDTH "A"	MOUNTING WIDTH "B"	UNIT WIDTH "C"	HEATER CAPACITY (KW)	HEATER CONTROL PANEL DIMENSIONS BASED ON VOLTAGE								
					"D"			"E"			"F"		
					208V	230V	460V	208V	230V	460V	208V	230V	460V
CFA1132E	132.00 [335.28]	133.50 [339.09]	135.00 [342.90]	2 @ 52	4.50 [11.43]	4.50 [11.43]	4.50 [11.43]	23.50 [59.69]	23.50 [59.69]	23.50 [59.69]	31.00 [78.74]	26.00 [66.04]	24.00 [60.96]
CFA1144E	144.00 [365.76]	145.50 [369.57]	147.00 [373.38]	2 @ 52	4.50 [11.43]	4.50 [11.43]	4.50 [11.43]	23.50 [59.69]	23.50 [59.69]	23.50 [59.69]	31.00 [78.74]	26.00 [66.04]	24.00 [60.96]
CFA1156E	156.00 [396.24]	157.50 [400.05]	159.00 [403.86]	2 @ 55	4.50 [11.43]	4.50 [11.43]	4.50 [11.43]	23.50 [59.69]	23.50 [59.69]	23.50 [59.69]	32.00 [81.28]	26.00 [66.04]	24.00 [60.96]
CFA2168E	168.00 [426.72]	169.50 [430.53]	171.00 [434.34]	2 @ 60.5	4.50 [11.43]	4.50 [11.43]	4.50 [11.43]	23.50 [59.69]	23.50 [59.69]	23.50 [59.69]	32.00 [81.28]	32.00 [81.28]	24.00 [60.96]
CFA2180E	180.00 [457.20]	181.50 [461.01]	183.00 [464.82]	2 @ 65	4.50 [11.43]	4.50 [11.43]	4.50 [11.43]	23.50 [59.69]	23.50 [59.69]	23.50 [59.69]	32.00 [81.28]	32.00 [81.28]	24.00 [60.96]
CFA2192E	192.00 [487.68]	193.50 [491.49]	195.00 [495.30]	2 @ 71	4.50 [11.43]	4.50 [11.43]	4.50 [11.43]	28.50 [72.39]	23.50 [59.69]	23.50 [59.69]	35.00 [88.90]	32.00 [81.28]	24.00 [60.96]



SLEEVES TO ACCESS BLOWER ASSEMBLY UNDER ALL UNIT MOUNTED CONTROL PANELS

### NOTES:

- 1 AIR CURTAIN MUST BE INSTALLED SO AIR STREAM IS NOT OBSTRUCTED WHEN DEFLECTED 20° TO EITHER SIDE OF C.
- 2 ELECTRICAL CONNECTIONS TO BE FLEXIBLE.
- 3 FIELD VERIFY DIMENSIONS.
- 4 ANCHORS TO SUPPORTING STRUCTURE BY OTHERS.
- 5 ADEQUACY OF SUPPORTING STRUCTURE IS TO BE VERIFIED BY A PROFESSIONAL STRUCTURAL ENGINEER.
- 6 HEATER CONTROL PANELS REQUIRE LEFT HAND & RIGHT HAND. MOTOR CONTROL IS REMOTE EXCEPT AS IN 6.
- 7 HEATER CONTROL PANEL INCLUDES POWER FUSING, AIR FLOW SWITCH, AND CONTROL CIRCUIT TRANSFORMER.
- 8 TO INCLUDE MOTOR STARTER IN HEATER CONTROL PANEL, ADD 2.50 [6.35] TO "E" AND ADD 2.00 [5.08] TO "F".
- 9 DIMENSIONS IN INCHES [CENTIMETERS].

PROJECT		
LOCATION		
ARCHITECT		
ENGINEER		REV. A
DWG. NO.	CFA03177	TITLE: <b>BERNER</b>
DATE	29JUN06	MODEL CFA AIR CURTAIN
BY	A. Johnston	ELECTRIC HEATED - TWO HEATER SYSTEM
REPLACES	12FEB03	
BY	B. Peffer	BERNER INTERNATIONAL CORP. NEW CASTLE, PA.