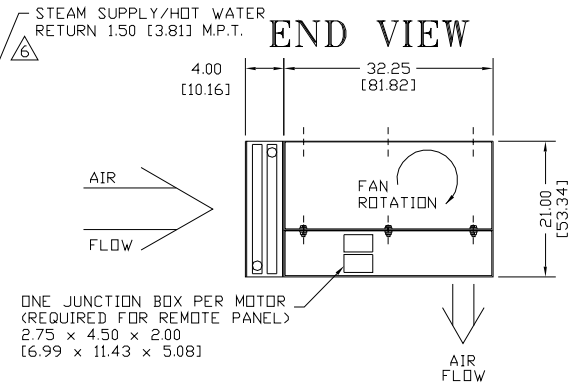
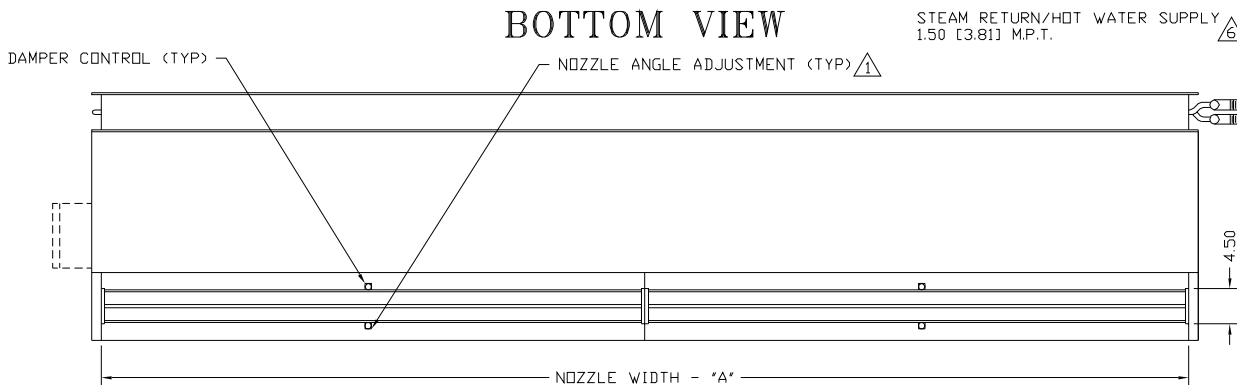
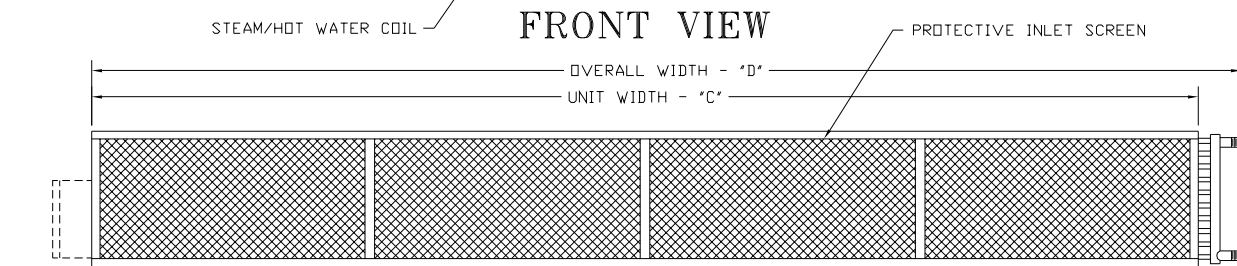
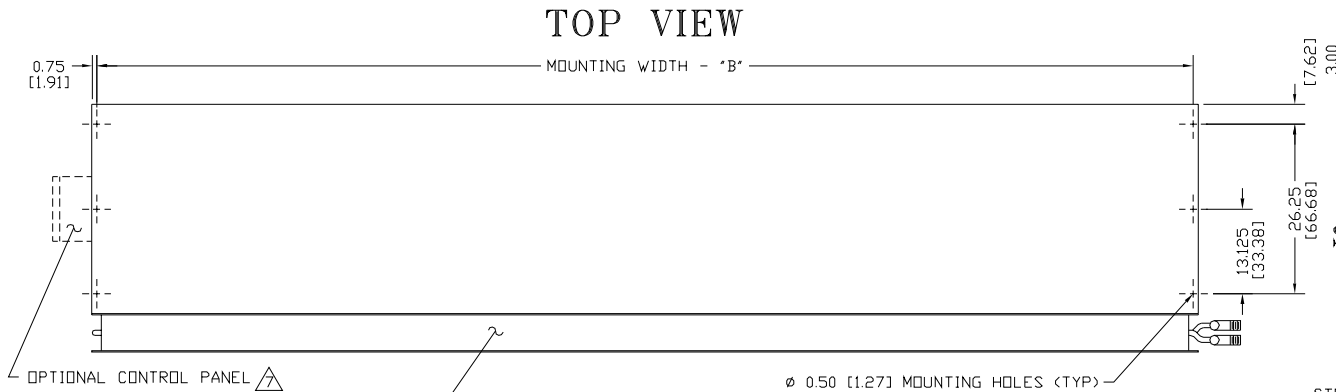


CFA

FRONT INTAKE STEAM/HOT WATER SAME END SUP./RET.



| MODEL | NOZZLE WIDTH "A" | MOUNTING WIDTH "B" | UNIT WIDTH "C" | OVERALL WIDTH "D" |
|------------|---------------------|-----------------------|-------------------|----------------------|
| CFA1060*-F | 60.00 [152.40] | 61.50 [156.21] | 63.00 [160.02] | 69.50 [176.53] |
| CFA1072*-F | 72.00 [182.88] | 73.50 [186.69] | 75.00 [190.50] | 81.50 [207.01] |
| CFA1084*-F | 84.00 [213.36] | 84.50 [214.63] | 87.00 [220.98] | 93.50 [237.49] |
| CFA1096*-F | 96.00 [243.84] | 97.50 [247.65] | 99.00 [251.46] | 105.50 [267.97] |
| CFA1108*-F | 108.00 [274.32] | 109.50 [278.13] | 111.00 [281.94] | 117.50 [298.45] |
| CFA1120*-F | 117.00 [297.18] | 118.50 [300.99] | 120.00 [304.80] | 126.50 [321.31] |
| CFA1132*-F | 132.00 [335.28] | 133.50 [339.09] | 135.00 [342.90] | 141.50 [359.41] |
| CFA1144*-F | 144.00 [365.76] | 145.50 [369.57] | 147.00 [373.38] | 153.50 [389.89] |
| CFA1156*-F | 156.00 [396.24] | 157.50 [400.05] | 159.00 [403.86] | 165.50 [420.37] |
| CFA2168*-F | 168.00 [426.72] | 169.50 [430.53] | 171.00 [434.34] | 177.50 [450.85] |
| CFA2180*-F | 180.00 [457.20] | 181.50 [461.01] | 183.00 [464.82] | 189.50 [481.33] |
| CFA2192*-F | 192.00 [487.68] | 193.50 [491.49] | 195.00 [495.30] | 201.50 [511.81] |

*- S-STEAM; W-HOT WATER

NOTES:

- ⚠ AIR CURTAIN MUST BE INSTALLED SO AIR STREAM IS NOT OBSTRUCTED WHEN DEFLECTED 20° TO EITHER SIDE OF C.
- ⚠ ELECTRICAL CONNECTIONS TO BE FLEXIBLE.
- ⚠ FIELD VERIFY DIMENSIONS.
- ⚠ ANCHORS TO SUPPORTING STRUCTURE BY OTHERS.
- ⚠ ADEQUACY OF SUPPORTING STRUCTURE IS TO BE VERIFIED BY A PROFESSIONAL STRUCTURAL ENGINEER.
- ⚠ COIL CONNECTIONS AS SHOWN, OPPOSITE AND SAME END CONNECTIONS AVAILABLE, PLEASE SPECIFY.
- ⚠ OPTIONAL CONTROL PANEL AVAILABLE: LEFT HAND MOUNT, RIGHT HAND MOUNT, OR REMOTE. PLEASE SPECIFY.
- ⚠ DIMENSIONS IN INCHES (CENTIMETERS).

| | | |
|-----------|-------------|---|
| PROJECT | | |
| LOCATION | | |
| ARCHITECT | | |
| ENGINEER | | REV. A |
| DWG. NO. | CFAQ3180 | TITLE: BERNER |
| DATE | 29JUN06 | MODEL CFA AIR CURTAIN |
| BY | A. Johnston | FRONT INTAKE STEAM/HOT WATER HEATED |
| REPLACES | 12FEB03 | |
| BY | B. Peffer | BERNER INTERNATIONAL CORP. NEW CASTLE, PA. |