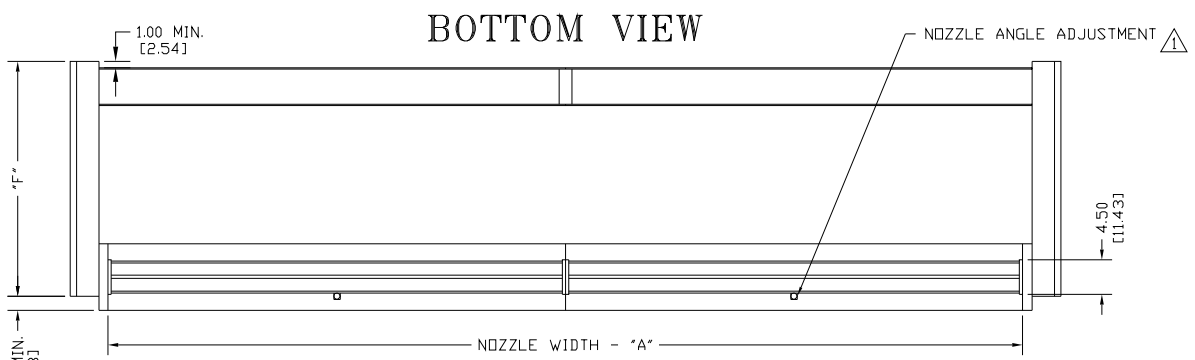
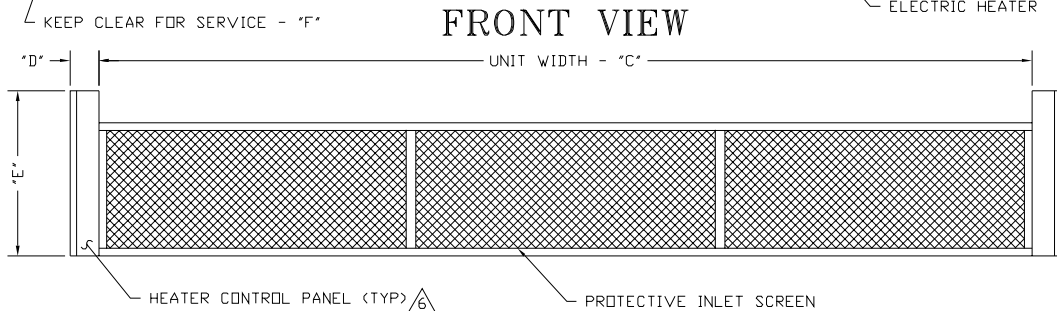
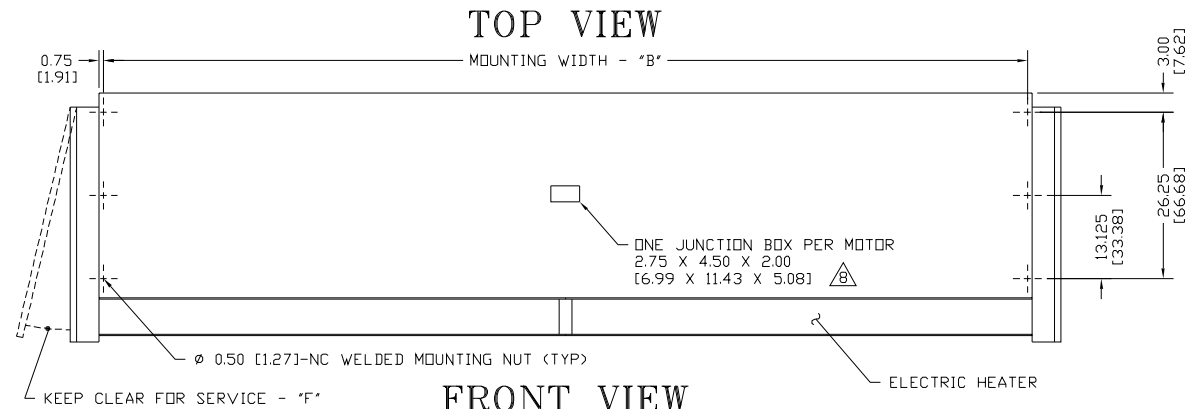
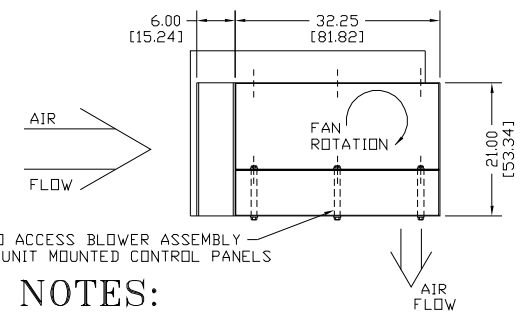


CFC ELECTRIC HEATED TWO HEATER SYSTEM



MODEL	NOZZLE WIDTH "A"	MOUNTING WIDTH "B"	UNIT WIDTH "C"	HEATER CAPACITY (KW)	HEATER CONTROL PANEL DIMENSIONS BASED ON VOLTAGE								
					"D"			"E"			"F"		
					208V	230V	460V	208V	230V	460V	208V	230V	460V
CFC1132E	132.00 [335.28]	133.50 [339.09]	135.00 [342.90]	2 @ 65	4.50 [11.43]	4.50 [11.43]	4.50 [11.43]	23.50 [59.69]	23.50 [59.69]	23.50 [59.69]	31.00 [78.74]	26.00 [66.04]	24.00 [60.96]
CFC1144E	144.00 [365.76]	145.50 [369.57]	147.00 [373.38]	2 @ 76	4.50 [11.43]	4.50 [11.43]	4.50 [11.43]	23.50 [59.69]	23.50 [59.69]	23.50 [59.69]	31.00 [78.74]	26.00 [66.04]	24.00 [60.96]
CFC1156E	156.00 [396.24]	157.50 [400.05]	159.00 [403.86]	2 @ 80	4.50 [11.43]	4.50 [11.43]	4.50 [11.43]	23.50 [59.69]	23.50 [59.69]	23.50 [59.69]	32.00 [81.28]	26.00 [66.04]	24.00 [60.96]
CFC1168E	168.00 [426.72]	169.50 [430.53]	171.00 [434.34]	2 @ 91	4.50 [11.43]	4.50 [11.43]	4.50 [11.43]	23.50 [59.69]	23.50 [59.69]	23.50 [59.69]	32.00 [81.28]	26.00 [66.04]	24.00 [60.96]
CFC1180E	180.00 [457.20]	181.50 [461.01]	183.00 [464.82]	2 @ 91	4.50 [11.43]	4.50 [11.43]	4.50 [11.43]	23.50 [59.69]	23.50 [59.69]	23.50 [59.69]	32.00 [81.28]	26.00 [66.04]	24.00 [60.96]
CFC2192E	192.00 [487.68]	193.50 [491.49]	195.00 [495.30]	2 @ 92	4.50 [11.43]	4.50 [11.43]	4.50 [11.43]	28.50 [72.39]	23.50 [59.69]	23.50 [59.69]	35.00 [88.90]	32.00 [81.28]	24.00 [60.96]

END VIEW (CONTROL PANEL REMOVED)



NOTES:

- 1 AIR CURTAIN MUST BE INSTALLED SO AIR STREAM IS NOT OBSTRUCTED WHEN DEFLECTED 20° TO EITHER SIDE OF C.
- 2 ELECTRICAL CONNECTIONS TO BE FLEXIBLE.
- 3 FIELD VERIFY DIMENSIONS.
- 4 ANCHORS TO SUPPORTING STRUCTURE BY OTHERS.
- 5 ADEQUACY OF SUPPORTING STRUCTURE IS TO BE VERIFIED BY A PROFESSIONAL STRUCTURAL ENGINEER.
- 6 HEATER CONTROL PANELS REQUIRE LEFT HAND & RIGHT HAND. MOTOR CONTROL IS REMOTE EXCEPT AS IN 8.
- 7 HEATER CONTROL PANEL INCLUDES POWER FUSING, AIR FLOW SWITCH, AND CONTROL CIRCUIT TRANSFORMER.
- 8 TO INCLUDE MOTOR STARTER IN HEATER CONTROL PANEL, ADD 2.50 [6.35] TO "E" AND ADD 2.00 [5.08] TO "F".
- 9 DIMENSIONS IN INCHES [CENTIMETERS].

PROJECT		
LOCATION		
ARCHITECT		
ENGINEER		REV. A
DWG. NO.	CFC03189	TITLE: BERNER
DATE	29JUN06	MODEL CFC AIR CURTAIN
BY	A. Johnston	ELECTRIC HEATED - TWO HEATER SYSTEM
REPLACES	19FEB03	
BY	B. Peffer	BERNER INTERNATIONAL CORP. NEW CASTLE, PA.