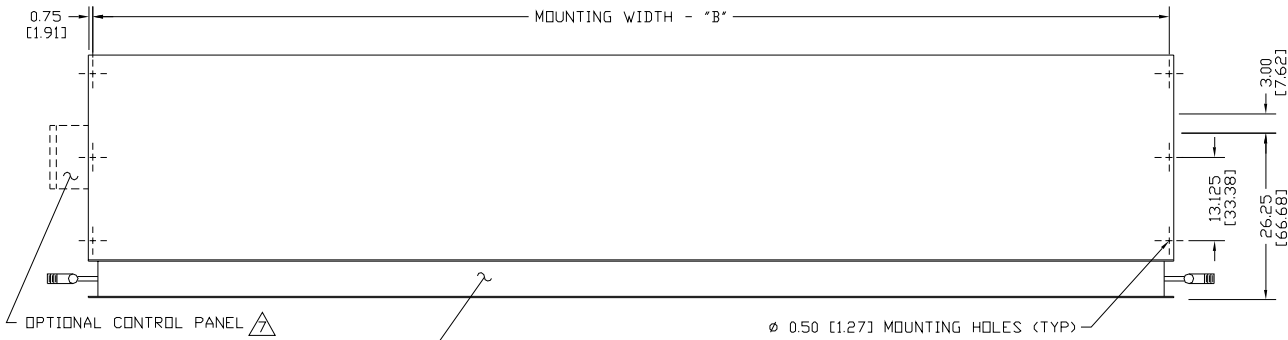
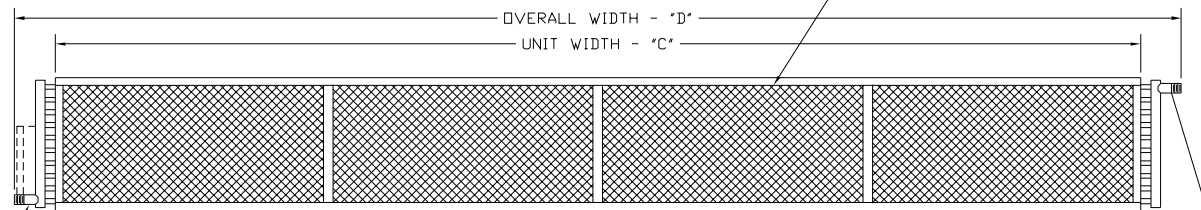


# CFC FRONT INTAKE STEAM/HOT WATER OPP. END SUP./RET.

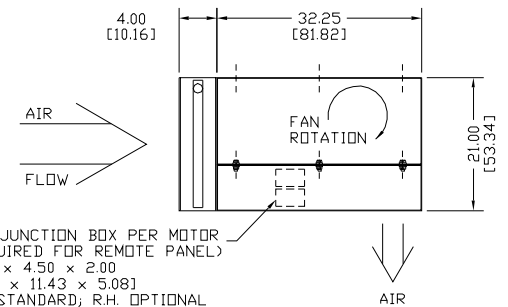
## TOP VIEW



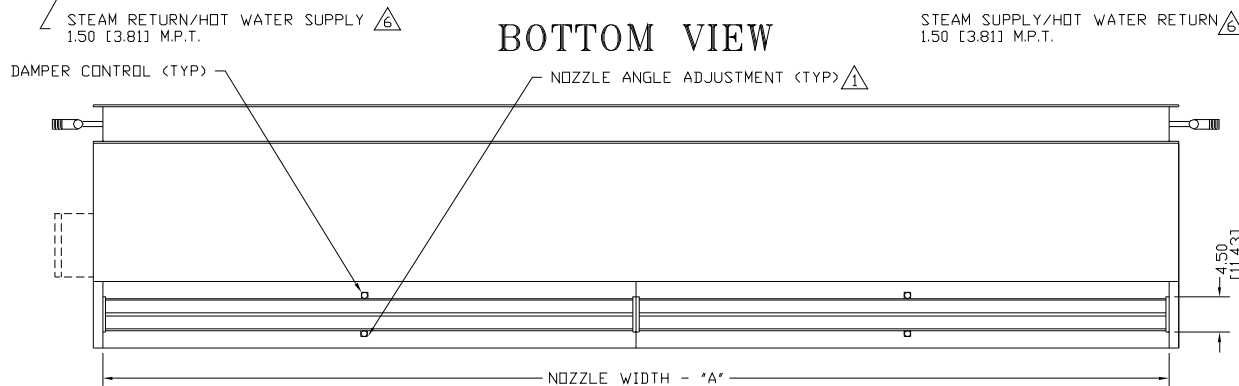
## FRONT VIEW



## END VIEW



## BOTTOM VIEW



## NOTES:

- ⚠️ AIR CURTAIN MUST BE INSTALLED SO AIR STREAM IS NOT OBSTRUCTED WHEN DEFLECTED 20° TO EITHER SIDE OF C.
- ⚠️ ELECTRICAL CONNECTIONS TO BE FLEXIBLE.
- ⚠️ FIELD VERIFY DIMENSIONS.
- ⚠️ ANCHORS TO SUPPORTING STRUCTURE BY OTHERS.
- ⚠️ ADEQUACY OF SUPPORTING STRUCTURE IS TO BE VERIFIED BY A PROFESSIONAL STRUCTURAL ENGINEER.
- ⚠️ COIL CONNECTIONS AS SHOWN, OPPOSITE AND SAME END CONNECTIONS AVAILABLE, PLEASE SPECIFY.
- ⚠️ OPTIONAL CONTROL PANEL AVAILABLE: LEFT HAND MOUNT, RIGHT HAND MOUNT, OR REMOTE. PLEASE SPECIFY.
- ⚠️ DIMENSIONS IN INCHES [CENTIMETERS].

MODEL	NOZZLE WIDTH "A"	MOUNTING WIDTH "B"	UNIT WIDTH "C"	OVERALL WIDTH "D"
CFC1060*-F	60.00 [152.40]	61.50 [156.21]	63.00 [160.02]	76.00 [193.04]
CFC1072*-F	72.00 [182.88]	73.50 [186.69]	75.00 [190.50]	88.00 [223.52]
CFC1084*-F	84.00 [213.36]	84.50 [214.63]	87.00 [220.98]	100.00 [254.00]
CFC1096*-F	96.00 [243.84]	97.50 [247.65]	99.00 [251.46]	112.00 [284.48]
CFC1108*-F	108.00 [274.32]	109.50 [278.13]	111.00 [281.94]	124.00 [314.96]
CFC1120*-F	117.00 [297.18]	118.50 [300.99]	120.00 [304.80]	133.00 [337.82]
CFC1132*-F	132.00 [335.28]	133.50 [339.09]	135.00 [342.90]	148.00 [375.92]
CFC1144*-F	144.00 [365.76]	145.50 [369.57]	147.00 [373.38]	160.00 [406.40]
CFC1156*-F	156.00 [396.24]	157.50 [400.05]	159.00 [403.86]	172.00 [436.88]
CFC1168*-F	168.00 [426.72]	169.50 [430.53]	171.00 [434.34]	184.00 [467.36]
CFC1180*-F	180.00 [457.20]	181.50 [461.01]	183.00 [464.82]	196.00 [497.84]
CFC2192*-F	192.00 [487.68]	193.50 [491.49]	195.00 [495.30]	208.00 [528.32]

\* S- STEAM; W- WATER

PROJECT		
LOCATION		
ARCHITECT		
ENGINEER		REV. A
DWG. NO.	CFC03186	TITLE: <b>BERNER</b>
DATE	29JUN06	MODEL CFC AIR CURTAIN
BY	A. Johnston	FRONT INTAKE STEAM/HOT WATER HEATED
REPLACES	04APR03	
BY	B. Peffer	BERNER INTERNATIONAL CORP. NEW CASTLE, PA.