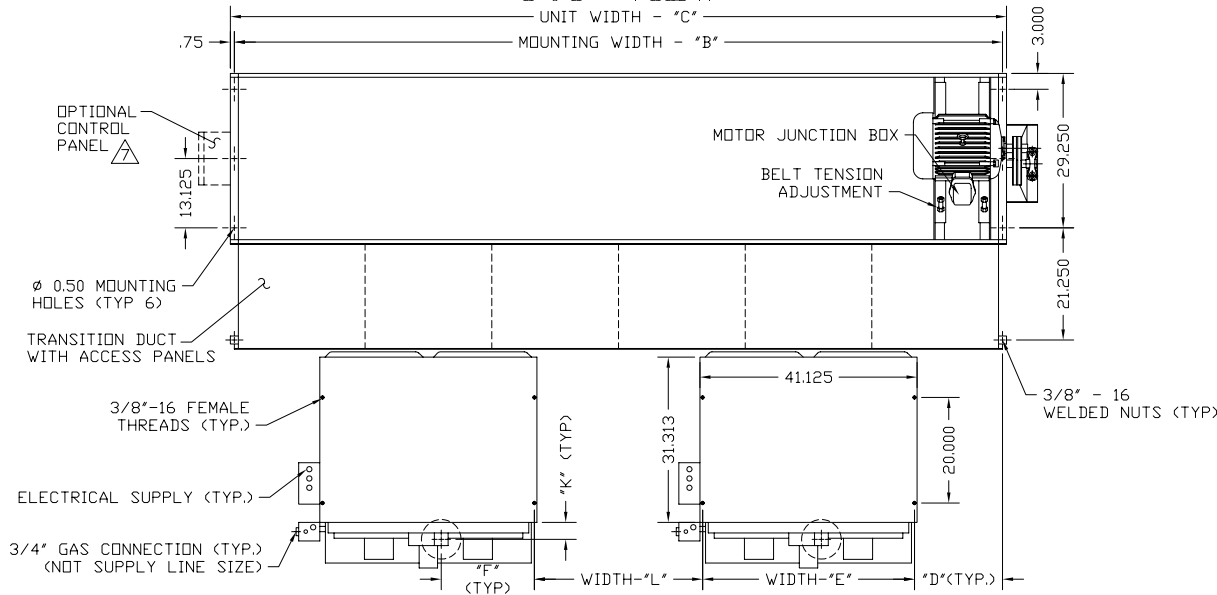
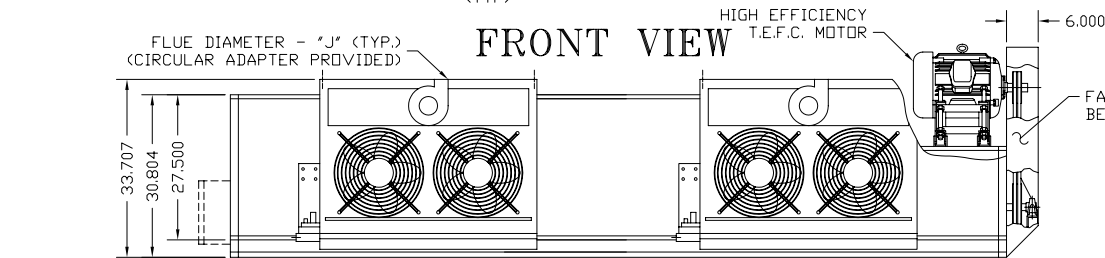


TOP VIEW



FRONT VIEW



BOTTOM VIEW



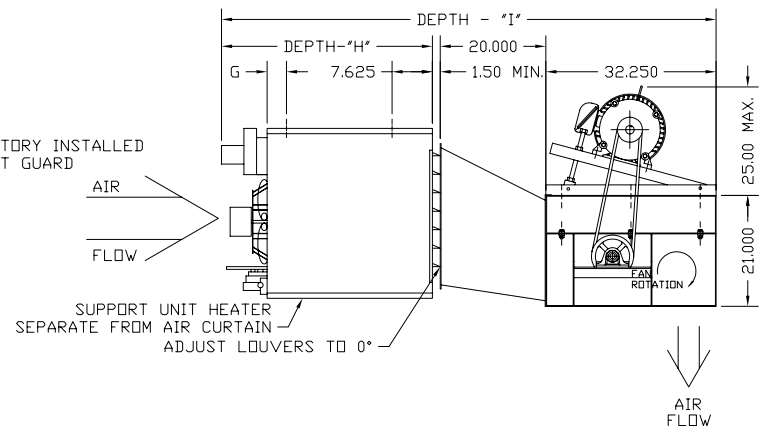
CFX

POSITIVE INDIRECT GAS TWO HEATER SYSTEM

NOTES:

- 1 AIR CURTAIN MUST BE INSTALLED SO AIR STREAM IS NOT OBSTRUCTED WHEN DEFLECTED 20° TO EITHER SIDE OF C.
- 2 ELECTRICAL CONNECTIONS TO BE FLEXIBLE.
- 3 FIELD VERIFY DIMENSIONS.
- 4 ANCHORS TO SUPPORTING STRUCTURE BY OTHERS.
- 5 ADEQUACY OF SUPPORTING STRUCTURE IS TO BE VERIFIED BY A PROFESSIONAL STRUCTURAL ENGINEER.
- 6 SUPPLY PRESSURES HIGHER THAN 0.50 POUND REQUIRE INSTALLATION OF AN ADDITIONAL SERVICE REGULATOR EXTERNAL TO THE UNIT.
- 7 OPTIONAL CONTROL PANEL AVAILABLE: LEFT HAND MOUNT, RIGHT HAND MOUNT, & REMOTE. PLEASE SPECIFY.
- 8 DIMENSIONS IN INCHES.

END VIEW (BELT GUARD REMOVED)



CAUTION:

HEATER IS EQUIPPED FOR A MAXIMUM GAS SUPPLY PRESSURE OF 1/2 POUND, 8 OUNCES, OR 14 INCHES WATER COLUMN.

MODEL	NOZZLE WIDTH "A"	MOUNTING WIDTH "B"	UNIT WIDTH "C"	MBTU INPUT	WIDTH "D"	WIDTH "E"	WIDTH "F"	DEPTH "G"	DEPTH "H"	DEPTH "I"	FLUE "J"	WIDTH "K"	WIDTH "L"
CFX1108G	108.00	109.50	111.00	2 @ 230	7.688	40.125	17.00	3.688	40.00	93.750	6.00	3.50	13.874
CFX1120G	117.00	118.50	120.00	2 @ 300	9.938	40.125	17.00	3.688	40.00	93.750	6.00	3.50	18.375
CFX1132G	132.00	133.50	135.00	2 @ 300	13.688	40.125	17.00	3.688	40.00	93.750	6.00	3.50	25.874
CFX1144G	144.00	145.50	147.00	2 @ 300	16.688	40.125	17.00	3.688	40.00	93.750	6.00	3.50	31.874
CFX1156G	156.00	157.50	159.00	2 @ 345	19.688	40.125	17.00	3.688	41.125	94.875	6.00	3.50	37.874
CFX1168G	168.00	169.50	171.00	2 @ 345	22.688	40.125	17.00	3.688	41.125	94.875	6.00	3.50	43.874
CFX1180G	180.00	181.50	183.00	2 @ 400	25.688	40.125	21.625	3.688	41.125	94.875	6.00	3.50	49.874
CFX1192G	192.00	193.50	195.00	2 @ 400	28.688	40.125	21.625	3.688	41.125	94.875	6.00	3.50	55.874

PROJECT		
LOCATION		
ARCHITECT		
ENGINEER		REV. B
DWG. NO.	CFAR3215	TITLE: BERNER
DATE	28DEC06	MODEL CFX AIR CURTAIN
BY	A.Johnston	INDIRECT GAS FIRED - TWO HEATER SYSTEM
REPLACES	29JUN06	
BY	A.Johnston	BERNER INTERNATIONAL CORP. NEW CASTLE, PA.