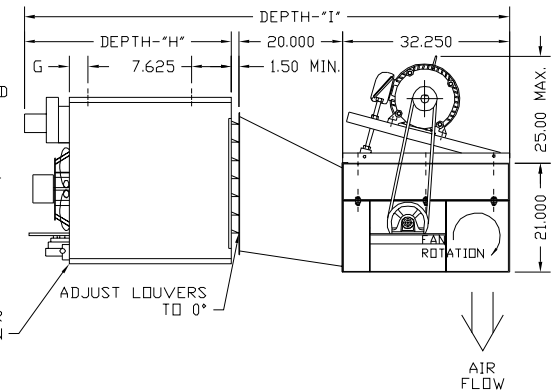


# CFY POSITIVE INDIRECT GAS THREE HEATER SYSTEM

## NOTES:

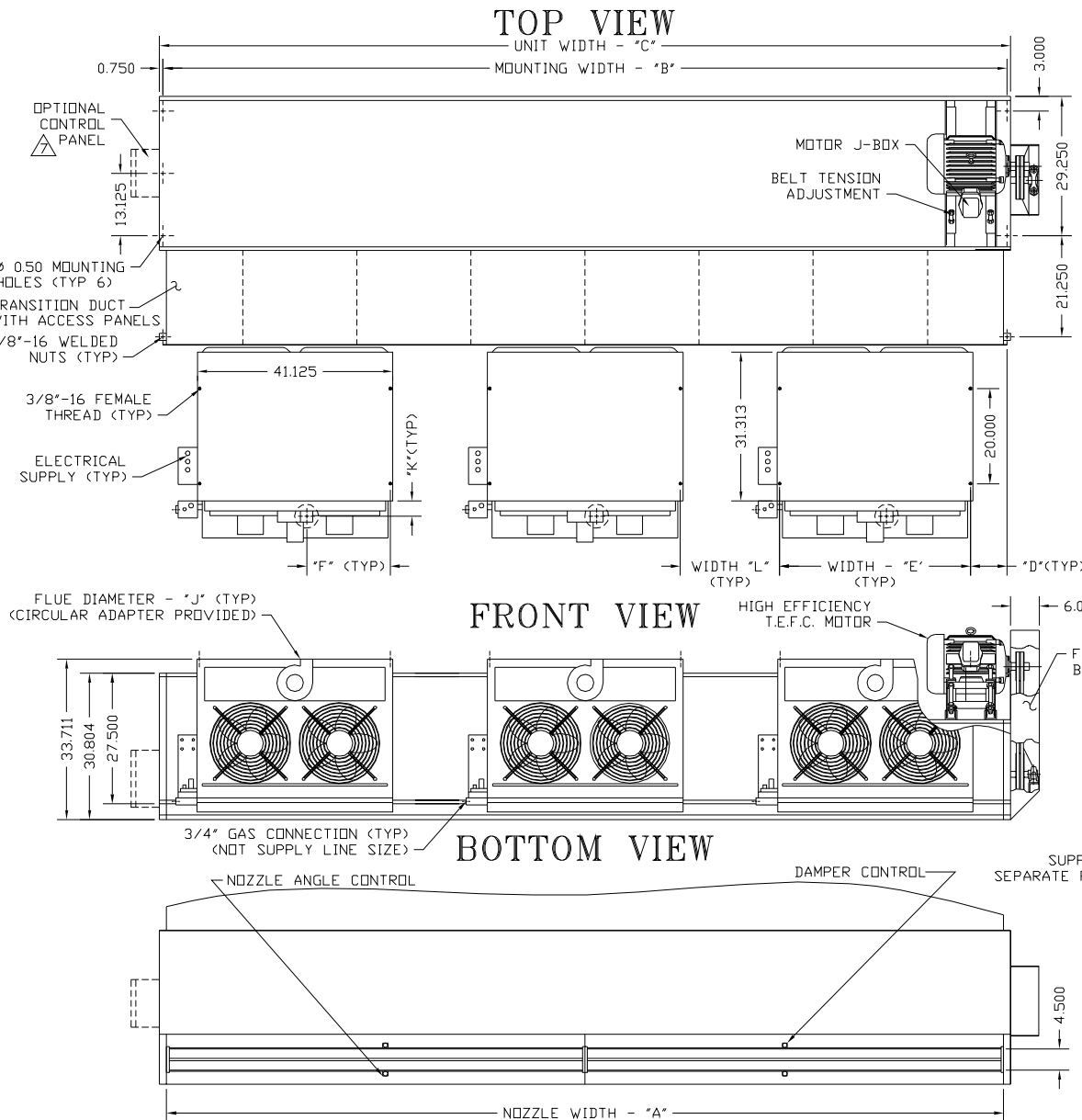
- 1 AIR CURTAIN MUST BE INSTALLED SO AIR STREAM IS NOT OBSTRUCTED WHEN DEFLECTED 20° TO EITHER SIDE OF  $\phi$ .
  - 2 ELECTRICAL CONNECTIONS TO BE FLEXIBLE.
  - 3 FIELD VERIFY DIMENSIONS.
  - 4 ANCHORS TO SUPPORTING STRUCTURE BY OTHERS.
  - 5 ADEQUACY OF SUPPORTING STRUCTURE IS TO BE VERIFIED BY A PROFESSIONAL STRUCTURAL ENGINEER.
  - 6 SUPPLY PRESSURES HIGHER THAN 0.50 POUND REQUIRE INSTALLATION OF AN ADDITIONAL SERVICE REGULATOR EXTERNAL TO THE UNIT.
- OPTIONAL CONTROL PANEL AVAILABLE: LEFT HAND MOUNT, RIGHT HAND MOUNT, & REMOTE. PLEASE SPECIFY.

## END VIEW (BELT GUARD REMOVED)



## CAUTION:

HEATER IS EQUIPPED FOR A MAXIMUM GAS SUPPLY PRESSURE OF 1/2 POUND, 8 OUNCES, OR 14 INCHES WATER COLUMN.



MODEL	NOZZLE WIDTH 'A'	MOUNTING WIDTH 'B'	UNIT WIDTH 'C'	MBTU INPUT	WIDTH 'D'	WIDTH 'E'	WIDTH 'F'	DEPTH 'G'	DEPTH 'H'	DEPTH 'I'	FLUE 'J'	WIDTH 'K'	WIDTH 'L'
CFY1168G	168.00	169.50	171.00	3 @ 345	8.688	40.125	17.00	3.688	41.125	94.875	6.00	3.50	15.875
CFY1180G	180.00	181.50	183.00	3 @ 345	10.688	40.125	17.00	3.688	41.125	94.875	6.00	3.50	19.875
CFY1192G	192.00	193.50	195.00	3 @ 345	12.688	40.125	17.00	3.688	41.125	94.875	6.00	3.50	23.875

PROJECT		
LOCATION		
ARCHITECT		
ENGINEER		REV. A
DWG. NO.	CFCR3218	TITLE: <b>BERNER</b>
DATE	29JUN06	MODEL CFY AIR CURTAIN
BY	A. Johnston	INDIRECT GAS FIRED - THREE HEATER SYSTEM
REPLACES	11NOV04	
BY	A. Johnston	BERNER INTERNATIONAL CORP. NEW CASTLE, PA.