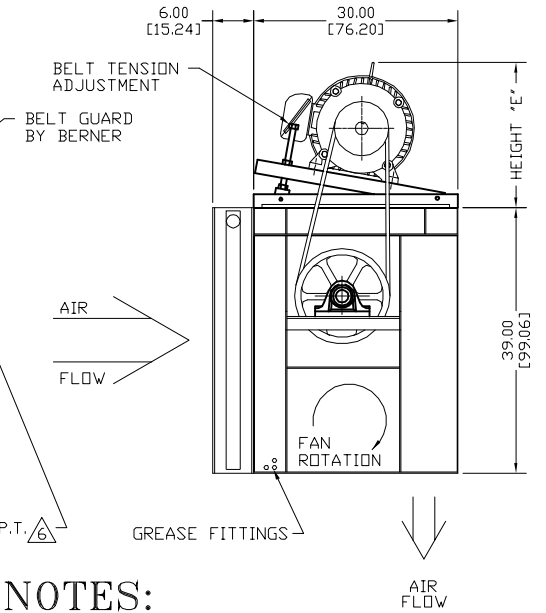


EWD

FRONT INTAKE STEAM/HOT WATER OPP. END SUP./RET. TOP MOTOR MOUNT.

END VIEW (BELT GUARD REMOVED)



NOTES:

- ① AIR CURTAIN MUST BE INSTALLED SO AIR STREAM IS NOT OBSTRUCTED WHEN DEFLECTED 20° TO EITHER SIDE OF C.
- ② ELECTRICAL CONNECTIONS TO BE FLEXIBLE.
- ③ FIELD VERIFY DIMENSIONS.
- ④ ANCHORS TO SUPPORTING STRUCTURE BY OTHERS.
- ⑤ ADEQUACY OF SUPPORTING STRUCTURE IS TO BE VERIFIED BY A PROFESSIONAL STRUCTURAL ENGINEER.
- ⑥ MOTOR AND COIL CONNECTIONS AS SHOWN, OPPOSITE AND SAME END CONNECTIONS AVAILABLE, PLEASE SPECIFY.
- ⑦ OPTIONAL CONTROL PANEL AVAILABLE: LEFT HAND MOUNT, RIGHT HAND MOUNT, OR REMOTE. PLEASE SPECIFY.

MODEL	NOZZLE WIDTH "A"	MOUNTING WIDTH "B"	UNIT WIDTH "C"	COIL WIDTH "D"	MAX MOTOR HEIGHT "E"
EWD1096S-F	96.00 [243.84]	98.00 [248.92]	106.00 [269.24]	114.00 [289.56]	20.50 [52.07]
EWD1108S-F	108.00 [274.32]	110.00 [279.40]	118.00 [299.72]	126.00 [320.04]	20.50 [52.07]
EWD1120S-F	116.00 [294.64]	118.00 [299.72]	126.00 [320.04]	134.00 [340.36]	20.50 [52.07]
EWD1132S-F	132.00 [335.28]	134.00 [340.36]	142.00 [360.68]	150.00 [381.00]	20.50 [52.07]
EWD1144S-F	144.00 [365.76]	146.00 [370.84]	154.00 [391.16]	162.00 [411.48]	22.00 [55.88]
EWD1156S-F	156.00 [396.24]	158.00 [401.32]	166.00 [421.64]	174.00 [441.96]	22.00 [55.88]
EWD1168S-F	168.00 [426.72]	170.00 [431.80]	178.00 [452.12]	186.00 [472.44]	22.00 [55.88]
EWD1180S-F	180.00 [457.20]	182.00 [462.28]	190.00 [482.60]	198.00 [502.92]	22.00 [55.88]
EWD1192S-F	192.00 [487.68]	194.00 [492.76]	202.00 [513.08]	210.00 [533.40]	25.00 [63.50]

PROJECT		
LOCATION		
ARCHITECT		
ENGINEER		REV. A
DWG. NO.	EWDR2582	TITLE: BERNER
DATE	11MARCH11	MODEL EWD AIR CURTAIN
BY	A. JOHNSTON	FRONT INTAKE STEAM/HOT WATER
REPLACES	16JUL03	
BY	A. JOHNSTON	BERNER INTERNATIONAL CORP. NEW CASTLE, PA.