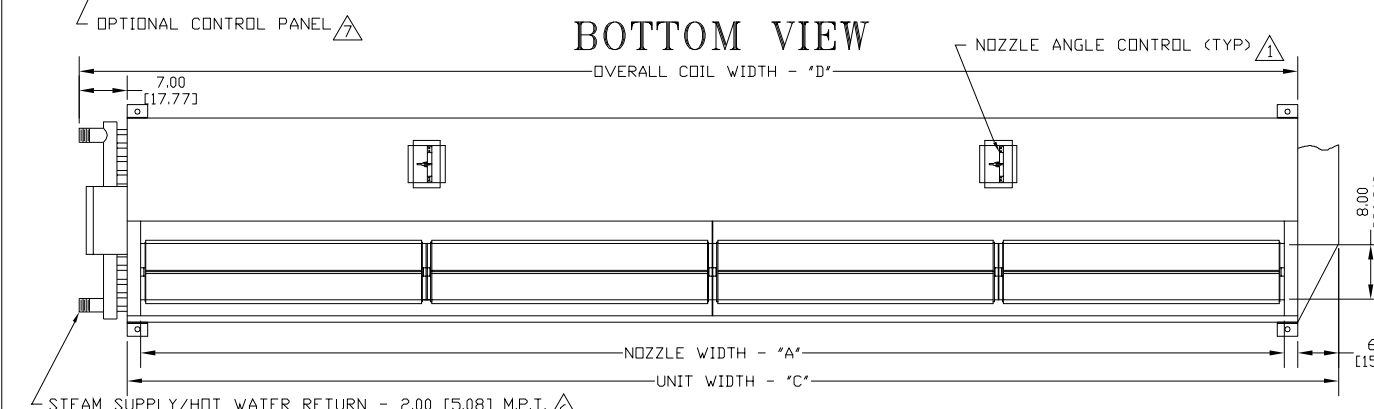
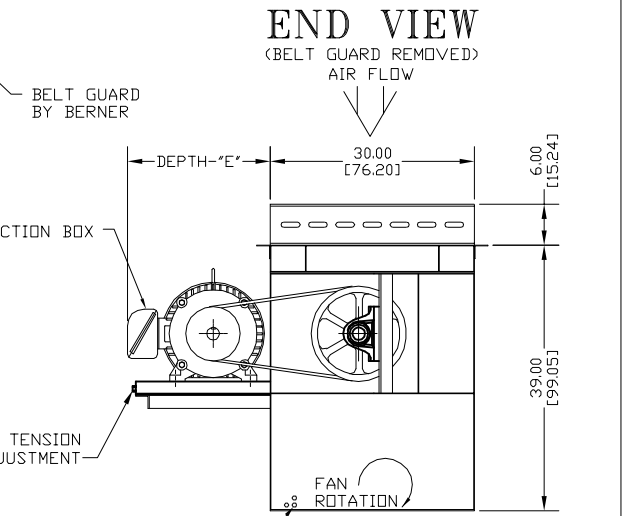
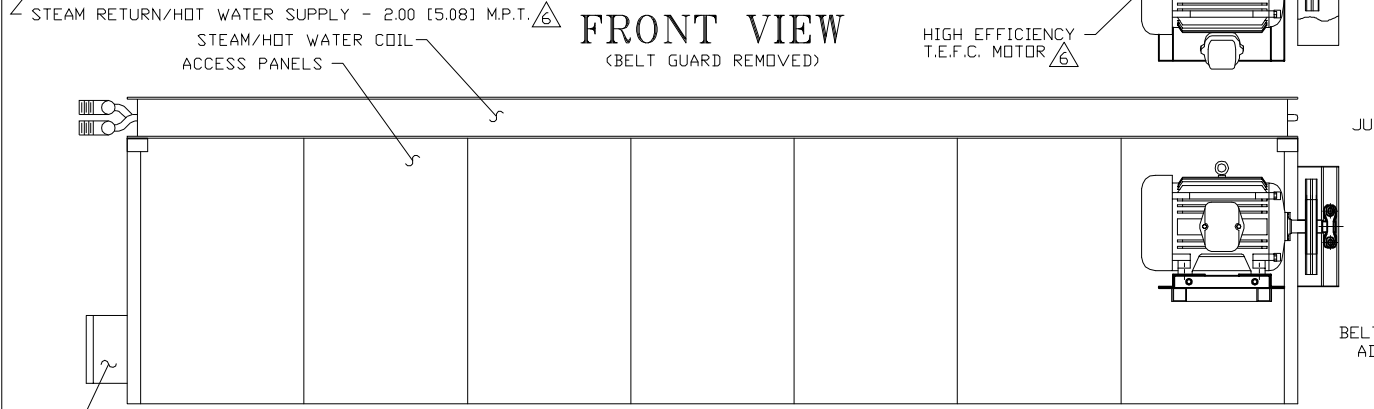


**EWD**  
**TOP INTAKE**  
**STEAM/HOT WATER**  
**SAME END SUP./RET.**  
**FRONT MOTOR MOUNT**  
**CAUTION:** UNIT MAY NOT BE SUSPENDED FROM COIL  
IT MUST BE SUPPORTED FROM THE BOTTOM



**NOTES:**

$\triangle$  AIR CURTAIN MUST BE INSTALLED SO AIR STREAM IS NOT OBSTRUCTED WHEN DEFLECTED 20° TO EITHER SIDE OF  $\triangle$

$\triangle$  ELECTRICAL CONNECTIONS TO BE FLEXIBLE.

$\triangle$  FIELD VERIFY DIMENSIONS.

$\triangle$  ANCHORS TO SUPPORTING STRUCTURE BY OTHERS.

$\triangle$  ADEQUACY OF SUPPORTING STRUCTURE IS TO BE VERIFIED BY A PROFESSIONAL STRUCTURAL ENGINEER.

$\triangle$  MOTOR AND COIL CONNECTIONS AS SHOWN, OPPOSITE AND SAME END CONNECTIONS AVAILABLE, PLEASE SPECIFY.

$\triangle$  OPTIONAL CONTROL PANEL AVAILABLE: LEFT HAND MOUNT, RIGHT HAND MOUNT, OR REMOTE. PLEASE SPECIFY.

AIR FLOW

MODEL	NOZZLE WIDTH "A"	MOUNTING WIDTH "B"	UNIT WIDTH "C"	COIL WIDTH "D"	MAX MOTOR HEIGHT "E"
EWD1096S-T	96.00 [243.84]	97.00 [246.38]	106.00 [269.24]	107.00 [271.78]	20.50 [52.07]
EWD1108S-T	108.00 [274.32]	109.00 [276.86]	118.00 [299.72]	119.00 [302.26]	20.50 [52.07]
EWD1120S-T	116.00 [294.64]	117.00 [297.18]	126.00 [320.04]	127.00 [322.58]	20.50 [52.07]
EWD1132S-T	132.00 [335.28]	133.00 [337.82]	142.00 [360.68]	143.00 [363.22]	20.50 [52.07]
EWD1144S-T	144.00 [365.76]	145.00 [368.30]	154.00 [391.16]	155.00 [393.70]	24.50 [62.23]
EWD1156S-T	156.00 [396.24]	157.00 [398.78]	166.00 [421.64]	167.00 [424.18]	24.50 [62.23]
EWD1168S-T	168.00 [426.72]	169.00 [429.26]	178.00 [452.12]	179.00 [454.66]	24.50 [62.23]
EWD1180S-T	180.00 [457.20]	181.00 [459.74]	190.00 [482.60]	191.00 [485.14]	27.50 [69.85]
EWD1192S-T	192.00 [487.68]	193.00 [490.22]	202.00 [513.08]	203.00 [515.62]	27.50 [69.85]

PROJECT		
LOCATION		
ARCHITECT		
ENGINEER		REV.   A
DWG. NO.	EWDR2585	TITLE: <b>BERNER</b>
DATE	11MARCH11	MODEL EWD AIR CURTAIN
BY	A. JOHNSTON	TOP INTAKE STEAM/HOT WATER
REPLACES	23MAR05	
BY	A. JOHNSTON	BERNER INTERNATIONAL CORP. NEW CASTLE, PA.