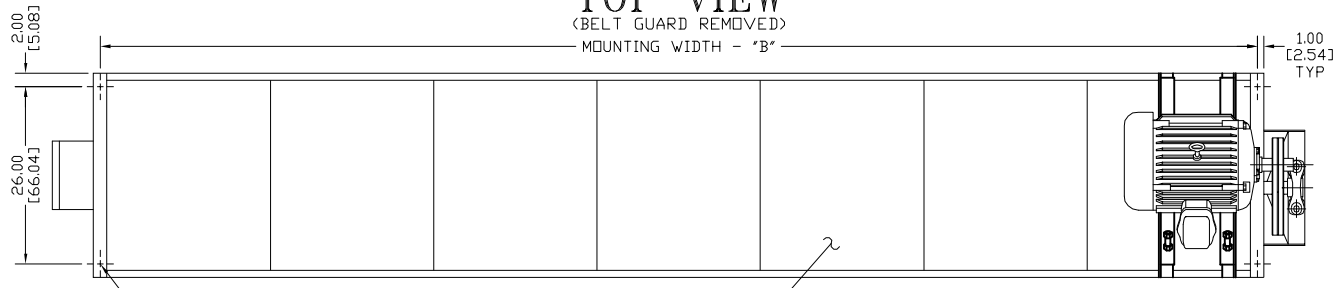
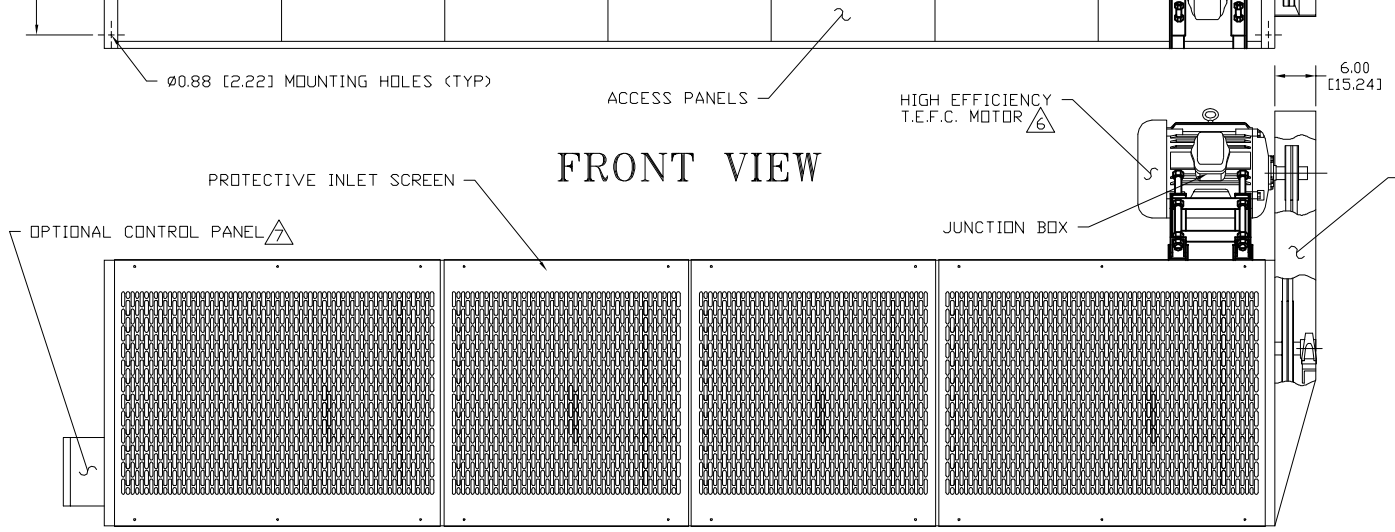


EWD FRONT INTAKE AMBIENT SYSTEM

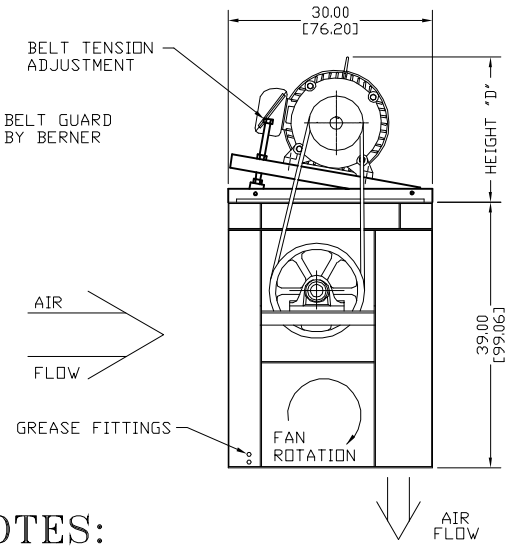
TOP VIEW (BELT GUARD REMOVED)



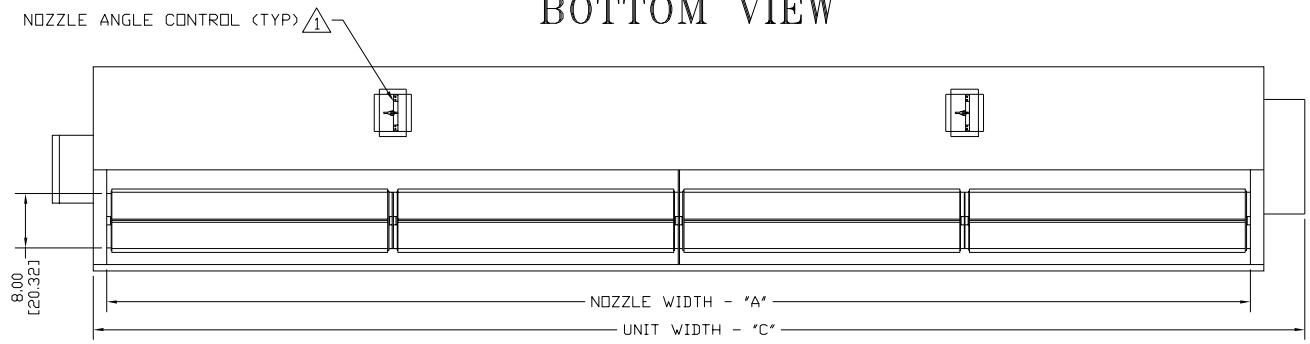
FRONT VIEW



END VIEW (BELT GUARD REMOVED)



BOTTOM VIEW



NOTES:

- 1 AIR CURTAIN MUST BE INSTALLED SO AIR STREAM IS NOT OBSTRUCTED WHEN DEFLECTED 20° TO EITHER SIDE OF C.
- 2 ELECTRICAL CONNECTIONS TO BE FLEXIBLE.
- 3 FIELD VERIFY DIMENSIONS.
- 4 ANCHORS TO SUPPORTING STRUCTURE BY OTHERS.
- 5 ADEQUACY OF SUPPORTING STRUCTURE IS TO BE VERIFIED BY A PROFESSIONAL STRUCTURAL ENGINEER.
- 6 MOTOR MOUNT STANDARD AS SHOWN, OPPOSITE AND FRONT MOUNT AVAILABLE, PLEASE SPECIFY.
- 7 OPTIONAL CONTROL PANEL AVAILABLE: LEFT HAND MOUNT, RIGHT HAND MOUNT, OR REMOTE. PLEASE SPECIFY.
- 8 DIMENSIONS IN INCHES [CENTIMETERS].

MODEL	NOZZLE WIDTH "A"	MOUNTING WIDTH "B"	UNIT WIDTH "C"	MAX MOTOR HEIGHT "D"
EWD1096A-F	96.00 [243.84]	98.00 [248.92]	106.00 [269.24]	20.50 [52.07]
EWD1108A-F	108.00 [274.32]	110.00 [279.40]	118.00 [299.72]	20.50 [52.07]
EWD1120A-F	116.00 [294.64]	118.00 [299.72]	126.00 [320.04]	20.50 [52.07]
EWD1132A-F	132.00 [335.28]	134.00 [340.36]	142.00 [360.68]	20.50 [52.07]
EWD1144A-F	144.00 [365.76]	146.00 [370.84]	154.00 [391.16]	22.00 [55.88]
EWD1156A-F	156.00 [396.24]	158.00 [401.32]	166.00 [421.64]	22.00 [55.88]
EWD1168A-F	168.00 [426.72]	170.00 [431.80]	178.00 [452.12]	22.00 [55.88]
EWD1180A-F	180.00 [457.20]	182.00 [462.28]	190.00 [482.60]	22.00 [55.88]
EWD1192A-F	192.00 [487.68]	194.00 [492.76]	202.00 [513.08]	25.00 [63.50]

PROJECT		
LOCATION		
ARCHITECT		
ENGINEER		REV. A
DWG. NO.	EWD1192A-F	TITLE: BERNER MODEL EWD AIR CURTAIN FRONT INTAKE AMBIENT SYSTEM
DATE	11MARCH11	
BY	A. JOHNSTON	
REPLACES	15JUL03	
BY	A. JOHNSTON	BERNER INTERNATIONAL CORP. NEW CASTLE, PA.