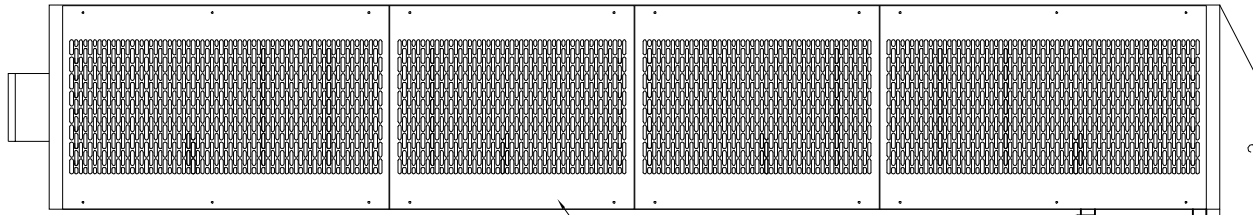


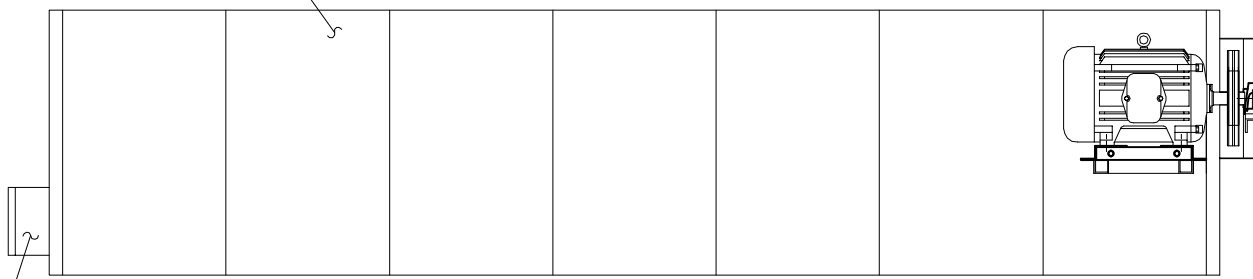
EWD TOP INTAKE AMBIENT FRONT MOTOR MOUNT

TOP VIEW



PROTECTIVE INLET SCREEN

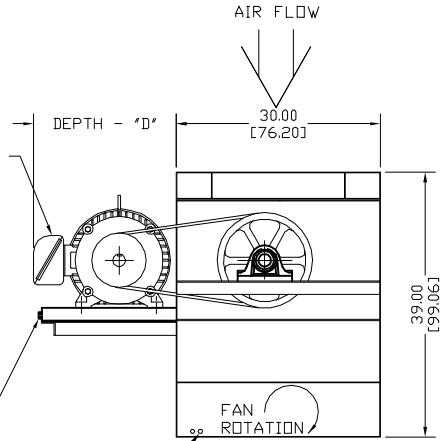
FRONT VIEW (BELT GUARD REMOVED)



HIGH EFFICIENCY T.E.F.C. MOTOR ^②

BELT GUARD BY BERNER

END VIEW (BELT GUARD REMOVED)



AIR FLOW

DEPTH - "D"

30.00 [76.20]

39.00 [99.06]

FAN ROTATION

AIR FLOW

JUNCTION BOX

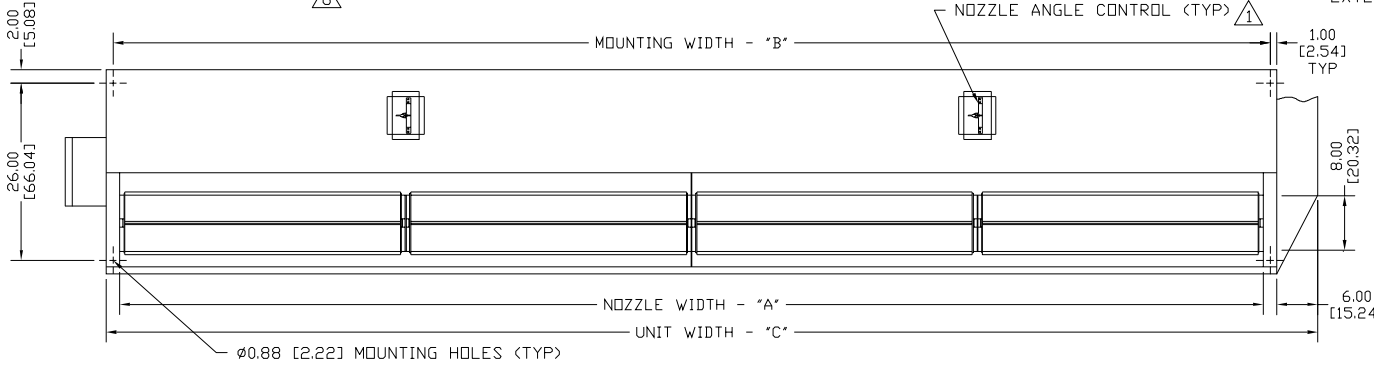
BELT TENSION ADJUSTMENT

EXTENDED GREASE FITTINGS

NOTES:

- ^① AIR CURTAIN MUST BE INSTALLED SO AIR STREAM IS NOT OBSTRUCTED WHEN DEFLECTED 20° TO EITHER SIDE OF Q.
- ^② ELECTRICAL CONNECTIONS TO BE FLEXIBLE.
- ^③ FIELD VERIFY DIMENSIONS.
- ^④ ANCHORS TO SUPPORTING STRUCTURE BY OTHERS.
- ^⑤ ADEQUACY OF SUPPORTING STRUCTURE IS TO BE VERIFIED BY A PROFESSIONAL STRUCTURAL ENGINEER.
- ^⑥ OPTIONAL CONTROL PANEL AVAILABLE: LEFT HAND MOUNT, RIGHT HAND MOUNT, OR REMOTE. PLEASE SPECIFY.

BOTTOM VIEW



MOUNTING WIDTH - "B"

NOZZLE ANGLE CONTROL (TYP) ^①

1.00 [2.54] TYP

8.00 [20.32]

6.00 [15.24]

NOZZLE WIDTH - "A"

UNIT WIDTH - "C"

Ø0.88 [2.22] MOUNTING HOLES (TYP)

MODEL	NOZZLE WIDTH "A"	MOUNTING WIDTH "B"	UNIT WIDTH "C"	MAX MOTOR HEIGHT "D"
EWD1096A-T	96.00 [243.84]	98.00 [248.92]	106.00 [269.24]	20.50 [52.07]
EWD1108A-T	108.00 [274.32]	110.00 [279.40]	118.00 [299.72]	20.50 [52.07]
EWD1120S-T	116.00 [294.64]	118.00 [299.72]	126.00 [320.04]	20.50 [52.07]
EWD1132S-T	132.00 [335.28]	134.00 [340.36]	142.00 [360.68]	20.50 [52.07]
EWD1144S-T	144.00 [365.76]	146.00 [370.84]	154.00 [391.16]	24.50 [62.23]
EWD1156S-T	156.00 [396.24]	158.00 [401.32]	166.00 [421.64]	24.50 [62.23]
EWD1168S-T	168.00 [426.72]	170.00 [431.80]	178.00 [452.12]	24.50 [62.23]
EWD1180S-T	180.00 [457.20]	182.00 [462.28]	190.00 [482.60]	27.50 [69.85]
EWD1192S-T	192.00 [487.68]	194.00 [492.76]	202.00 [513.08]	27.50 [69.85]

PROJECT		
LOCATION		
ARCHITECT		
ENGINEER		REV. A
DWG. NO.	EWDR2581	TITLE: BERNER
DATE	11MARCH11	MODEL EWD AIR CURTAIN
BY	A. JOHNSTON	TOP INTAKE AMBIENT
REPLACES	16JUL03	
BY	A. JOHNSTON	BERNER INTERNATIONAL CORP. NEW CASTLE, PA.