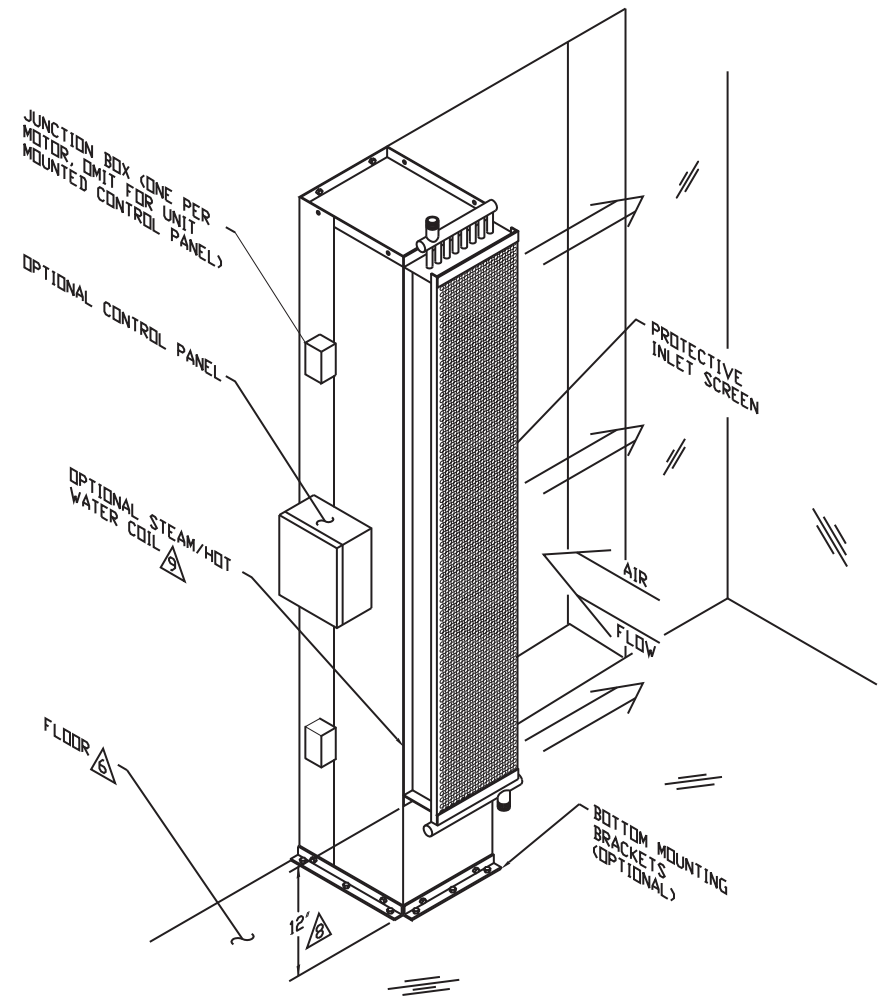
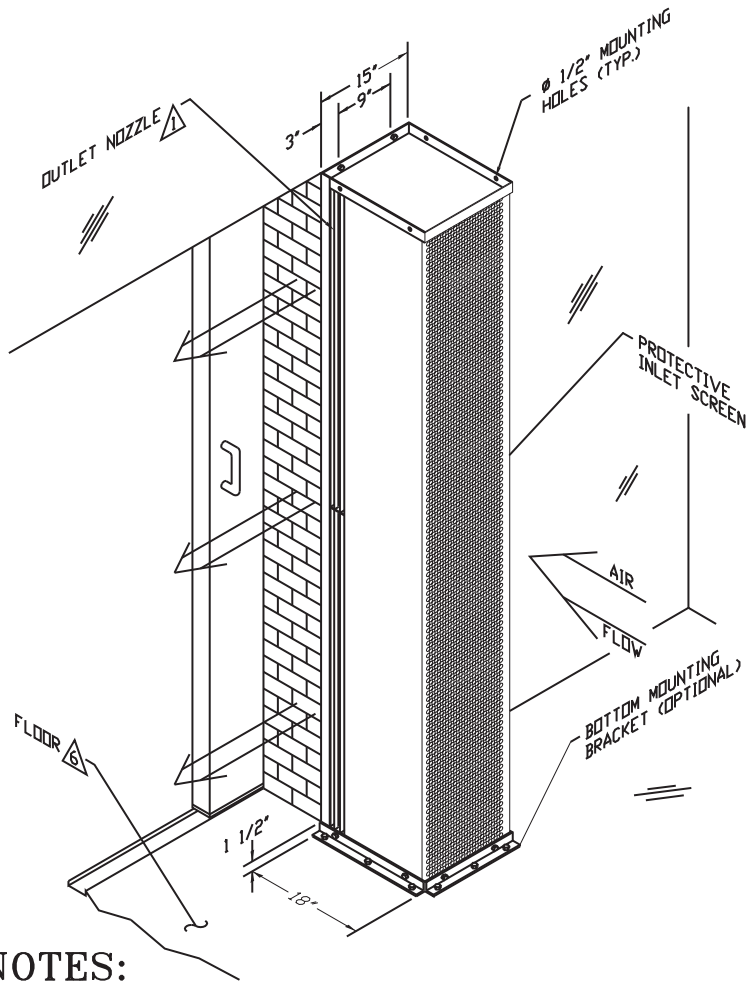


VERTICAL MOUNT

VSA/VSB, KSA/KSB



NOTES:

- ⚠ AIR CURTAIN MUST BE INSTALLED SO AIR STREAM IS NOT OBSTRUCTED WHEN DEFLECTED 20° TO EITHER SIDE OF ζ .
- ⚠ ELECTRICAL CONNECTIONS TO BE FLEXIBLE.
- ⚠ FIELD VERIFY DIMENSIONS.
- ⚠ ANCHORS TO SUPPORTING STRUCTURE BY OTHERS.
- ⚠ ADEQUACY OF SUPPORTING STRUCTURE IS TO BE VERIFIED BY A PROFESSIONAL STRUCTURAL ENGINEER.
- ⚠ SURFACE SHOULD BE SMOOTH AND LEVEL.

- ⚠ THE OUTLET NOZZLE SHALL BE NO MORE THAN 1" AWAY FROM EDGE OF THE OPENING. IF THIS DISTANCE MUST BE MORE, SPACE THE UNIT OUT FROM THE WALL 3/8" FOR EVERY 1" IT IS MOVED AWAY FROM THE OPENING.
- ⚠ VERTICALLY MOUNTED UNITS W/ COILS MAY REQUIRE ADDITIONAL CLEARANCE AT BOTTOM FOR SUPPLY/RETURN HEADERS. STEAM SHOWN W/REQUIRED TOP SUPPLY/BOTTOM RETURN. HOT WATER STANDARD SAME END SUPPLY/RETURN TOP OR BOTTOM, AVAILABLE W/DPPSITSE SUPPLY/RETURN.

PROJECT		
LOCATION		
ARCHITECT		
ENGINEER		
DWG. NO.	VSAV0017	TITLE: BERNER
DATE	13APR07	VSA/VSB, KSA/KSB AIR CURTAIN
BY	D. Johnson	VERTICAL MOUNTING
REPLACES		
BY		BERNER INTERNATIONAL CORP. NEW CASTLE, PA.