

VSA/VSB

SINGLE PHASE CONTROL PANEL

UNHEATED/STEAM & HOT WATER - FACTORY MOUNTED/WIRED LEFT HAND END PLATE

REQUIRED WHEN:

1. The total quantity of motors for VSA exceeds (2) 1/2 hp @ 120V or (3) 1/2 hp @ 208/240/1.
2. The total quantity of motors for VSB exceeds (1) 1 hp @ 120V or (2) 1 hp @ 208/240/1.
3. 24 V control or a time delay accessory is required regardless of the number of motors.



NOTE: If the motor quantities and hp do not exceed the ratings in notes #1 and #2 and automatic on/off control of the air curtain fan(s) is required, a line voltage plunger or a line voltage roller door limit switch only needs to be quoted.

Standard Features:

◆NEMA 4/12 Enclosure ◆Motor Contactor (factory wired) ◆Terminal Strip ◆Fusing (as required)

hp	# of MOTORS	VOLTAGE	PART#
VSA 1/2	1 - 3	120	9012CS40A3P120
		208-240	9012CS40A3P208
	4	120	9012CFDA1A1F2
		208	9012CFDA1B1F2
		240	9012CFDA1J1F2
VSB 1	1 - 3	120	9012CS40A3P120
		208-240	9012CS40A3P208
	4	120	9012CFDA1A001
		208	9012CFDA1B001
		240	9012CFDA1J001

FACTORY MOUNTED ACCESSORIES FOR CONTROL PANEL - UNHEATED/STEAM & HOT WATER

24 Volt Control	Add -24 to part #
Time Delay - Line Voltage Control (120/208/240/1)	Add -TD to part #
Time Delay - 24 Volt Control (includes transformer)	Add -24-TD to part #

INDIRECT GAS HEAT - FACTORY MOUNTED/WIRED LEFT HAND END PLATE

REQUIRED WHEN: 1. Any single phase indirect gas heated system is quoted



Standard Features:

◆NEMA 4/12 Enclosure ◆Motor Contactor (factory wired) ◆Terminal Strip ◆Fusing (as required)

hp	# of MOTORS	# OF HEATERS	VOLTAGE	PART#
VSA 1/2	1-3	1	120	9012CS40A3P120-G1
		1	208-240	9012CS40A3P208-G1
	4	1	120	9012CFDP1A1F2
		1	208	9012CFDP1B1F2
		1	240	9012CFDP1J1F2
VSB 1	1-3	1	120	9012CS40A3P120-G1
		1	208-240	9012CS40A3P208-G1
	4	1	120	9012CFDP1A001
		1	208	9012CFDP1B001
		1	240	9012CFDP1J001

FACTORY MOUNTED ACCESSORIES FOR CONTROL PANEL - INDIRECT GAS HEAT

24 Volt Control	Add -24 to part #
-----------------	--------------------------

VSA/VS CONTROL PACKAGES

ELECTRIC HEATED MODELS ONLY

ELECTRIC HEATED BASIC CONTROL PACKAGE

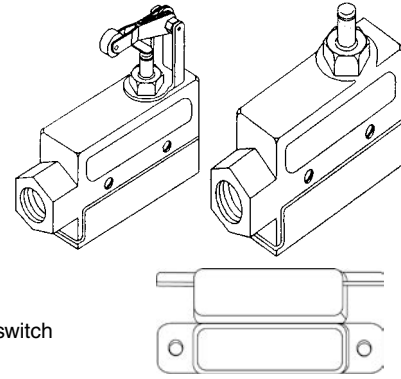
Recommended for openings where the door stays open or does not have a lot of traffic.

Includes: NEMA 1 & 4 Door Switch Plunger Style, NEMA 1 Roller Style, or Magnetic Reed Style

BASIC PACKAGE	PART NO.
NEMA 1 Plunger	9503SD020-P
NEMA 1 Roller	9503SD020-RA
NEMA 4 Plunger	9503SD020-P-4
Magnetic Reed	9503MRS1F2-NC-K

NOTE: If there are multiple manual doors on the opening, add NEMA 1 plunger (part #9503SD020-P), NEMA 4 (part #9503SD020-P-4), or NEMA 1 roller (part #9503SD020-RA), or magnetic reed (part #9503MRS1F2-NC-K) for each additional switch required.

24 VOLT CONTROL



ELECTRIC HEATED DELUXE CONTROL PACKAGE

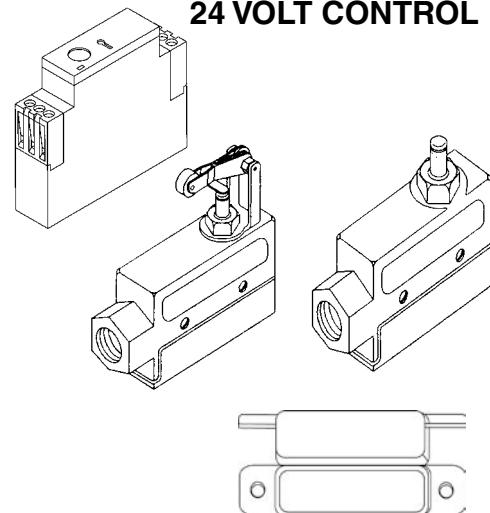
Recommended for high traffic openings.

Includes: Door Switch: NEMA 1 Plunger Style, Roller Style, or Magnetic Reed Style
Factory Installed Time Delay Relay

DELUXE PACKAGE	PART NO.
NEMA 1 Plunger 24 V	91VSA120-DE-P-24
NEMA 1 Roller 24 V	91VSA120-DE-R-24
Magnetic Reed 24 V	91VSA120-DE-M-24

NOTE: If there are multiple manual doors on the opening, add NEMA 1 plunger (part #9503SD020-P), NEMA 1 roller (part # 9503SD020-RA), or magnetic reed (part #9503MRS1F2-NC-K) for each additional switch required.

24 VOLT CONTROL



VSA/VS

ELECTRICAL ACCESSORIES

DESCRIPTION	PART NO.	
ELECTRICAL ACCESSORIES		
NEMA 1 Plunger Style Door Switch Suitable for use with: Single phase control panel, three phase control panel, or single phase power 2 motors @ 120/1; 3 motors @ 208-240/1.	9503SD020-P	
NEMA 4 Plunger Door Switch Suitable for use with: Single phase control panel, three phase control panel, or single phase power 2 motors @ 120/1; 3 motors @ 208-240/1.	9503SD020-P-4	
NEMA 1 Roller Arm Door Switch Suitable for use with: Single phase control panel, three phase control panel, or single phase power 2 motors @ 120/1; 3 motors @ 208-240/1.	9503SD020-RA	
Remote Hand/Off/Auto Selector Switch 1½ hp @ 120V/1Ø, 4 hp @ 208-240V/1Ø	9505T0215432	
Toggle Disconnect Remote Installed <i>(Consult factory for electric heated disconnect quantity)</i>		
30 amp 120-240V, 1Ø (2 hp max)	95083032C	
30 amp 208-600V, 1Ø (2 hp max) or 3Ø	95081389C	
40 amp 120-600V, 1Ø (2 hp max) or 3Ø	950840003C	
60 amp 208-600V, 3Ø	950860303C	
Toggle Disconnect Factory Installed <i>(Consult factory for electric heated disconnect quantity)</i>		
30 amp 120-240V, 1Ø (2 hp max)	95083032C-BI	
30 amp 208-600V, 1Ø (2 hp max) or 3Ø	95081389C-BI	
40 amp 120-600V, 1Ø (2 hp max) or 3Ø	950840003C-BI	
60 amp 208-600V, 3Ø	950860303C-BI	
Remote Dry Type Transformer <i>(Indirect Gas Heated Models Only)</i>		
1000VA (net weight 30 lbs.) One Heater System Provides 120V Power to Operate Gas Unit Heater Motors	208V	900301KD-A
	240-480V	900301KF-A
	600V	900301KI-W
Thermostat 2-Pole	9502DS2T-P Remote Mounted	
	9502DS2T-P-BI Unit Mounted	
Locking Cover For Thermostat	95022E999	

VSA/VS

MECHANICAL ACCESSORIES

DESCRIPTION	PART NO.	
MECHANICAL ACCESSORIES		
Correctional Tamper Proof Package	Add Suffix -TP to MODEL# <i>Example: VSA2072AA-TP</i>	
Wall Support Bracket Two Required Per Unit	0"-12"	66VS-000WMB-012
	0"-20"	66VS-000WMB-020
6" Extension Bracket (Not Available For Electric Heated Units or Units with Factory Mounted Motor Control)	66VS-006EB	
12" Extension Bracket (Not Available For Electric Heated Units or Units with Factory Mounted Motor Control)	66VS-012EB	
Floor Mounting Bracket (Two Piece)	66VS-000FMB	
Vertical Tandem Mounting Bracket Maximum Joined Length- Vertical 30'	66VS-000TMB	

1/2" WASHABLE FILTERS

FOR UNHEATED, ELECTRIC, STEAM & HOT WATER HEATED UNITS

LENGTH	POLYESTER	ALUMINUM
	PART NO.	PART NO.
36"	80VS-036C	80VS-036C-A
42"	80VS-042C	80VS-042C-A
48"	80VS-048C	80VS-048C-A
60"	80VS-060C	80VS-060C-A
72"	80VS-072C	80VS-072C-A
78"	80VS-078C	80VS-078C-A
84"	80VS-084C	80VS-084C-A
96"	80VS-096C	80VS-096C-A
108"	80VS-108C	80VS-108C-A
120"	80VS-120C	80VS-120C-A
132"	80VS-132C	80VS-132C-A
144"	80VS-144C	80VS-144C-A

Note: Polyester filters cannot be used on UL certified electric units

*FILTER REPLACES PERFORATED INTAKE GRILLE

**For both filter and perforated intake grille add "S" Suffix to filter part number.

**NOT REQUIRED FOR
ELECTRIC HEATED
MODELS**

THREE PHASE CONTROL PANEL **VSA/VSB**

Required for all motors operating on three phase power

UNHEATED/STEAM & HOT WATER - FACTORY MOUNTED/WIRED LEFT HAND END PLATE

208-600/3 Power Supply with 120V control Voltage

Standard Features

- ◆ NEMA 4/12 Enclosure
- ◆ Motor Contactor
- ◆ Fusing (as required)
- ◆ 120V Control Transformer
- ◆ Terminal Strip

Optional NEMA 4x Enclosure Features

- ◆ Poly Fiberglass
- ◆ Aluminum
- ◆ Stainless Steel
- Optional Feature**
- ◆ 24V Control Transformer



NOTE: A unit activation switch must be ordered with the panel for activation of the unit(s)

hp	# of MOTORS	VOLTAGE	PART#
VSA 1/2	1 - 3	208-240/3	9012CS40A3P208-XY-120
	4	208-240/3	9012CFDA1X1F2-120
	1 - 4	480/3	9012CS40A3P480-120
		600/3	9012CS40A3P600-120
VSB 1	1 - 3	208-240/3	9012CS40A3P208-XY-120
	4	208-240/3	9012CFDA1X001-120
	4	480/3	9012CS40A3P480-120
		600/3	9012CS40A3P600-120

FACTORY MOUNTED ACCESSORIES FOR CONTROL PANEL - UNHEATED/STEAM & HOT WATER

24 Volt Control	Replace -120 with -24 to part #
-----------------	---

INDIRECT GAS HEAT - FACTORY MOUNTED/WIRED LEFT HAND END PLATE

208-600/3 Power Supply with 120V control Voltage

Standard Features

- ◆ NEMA 4/12 Enclosure
- ◆ Motor Contactor
- ◆ Fusing (as required)
- ◆ 120V Control Transformer
- ◆ Time Delay Relay
- ◆ Terminal Strip

Optional NEMA 4x Enclosure Features

- ◆ Poly Fiberglass
- ◆ Aluminum
- ◆ Stainless Steel
- Optional Feature**
- ◆ 24V Control Transformer



NOTE: A unit activation switch must be ordered with the panel for activation of the unit(s)

hp	# of MOTORS	# OF HEATERS	VOLTAGE	PART#
VSA 1/2	1 - 3	1	208-240/3	9012CS40A3P208-XY-G1-120
	4	1	208-240/3	9012CFDP1X1F2-120
	1 - 4	1	480/3	9012CS40A3P480-G1-120
		1	600/3	9012CS40A3P600-G1-120
VSB 1	1 - 3	1	208-240/3	9012CS40A3P208-XY-G1-120
	4	1	208-240/3	9012CFDP1X1F2-120
	4	1	480/3	9012CS40A3P480-G1-120
		1	600/3	9012CS40A3P600-G1-120

FACTORY MOUNTED ACCESSORIES FOR CONTROL PANEL - INDIRECT GAS HEAT

24 Volt Control	Replace -120 with -24 to part #
-----------------	---

VSA/VS

Three Phase Control Panel Accessories

For: Unheated, Steam/Hot Water,
and Indirect Gas Heated Models

FACTORY MOUNTED ACCESSORIES FOR CONTROL PANEL	
DESCRIPTION	PART NO.
Hand/Off/Automatic Switch	9505HOAB-CP
Start/Stop Push Button Station	9504SSPB-CP
Summer/Winter Switch	9505SWB-CP
Summer/Off/Winter Switch	9505SOWB-CP
Non-Fused Disconnect Switch	
3Ø 10 hp @ 208-240V; 20 hp @ 480V; 25 hp @ 600V; 40 amps	Add -ND to part #
3Ø 10 hp @ 208-240V; 25 hp @ 480V; 60 amps	Add -ND to part #
Fused Disconnect Switch	
3Ø 7.5 hp @ 208-240V; 15 hp @ 480V; 20 hp @ 600V; 30 amps	Add -FD to part #
3Ø 15 hp @ 208-240V; 30 hp @ 480V; 50 hp @ 600V; 60 amps	Add -FD to part #
Time Delay Relay (120V or 24V) (standard in Indirect Gas Fired control panel)	9009KOL312-C
REMOTE MOUNTED ACCESSORIES FOR CONTROL PANEL	
DESCRIPTION	PART NO.
Hand/Off/Automatic Switch <i>Pilot duty remote station to be used with a control panel.</i>	9505HOAR
Hand/Off/Automatic Summer/Winter Switch <i>Pilot duty remote station to be used with a control panel.</i>	9505HOAR-SW
Start/Stop Push Button Station <i>Pilot duty remote station to be used with a control panel.</i>	9504SSPBR
NEMA 1 Plunger Style Door Switch	9503SD020-P
NEMA 1 Roller Arm Door Switch	9503SD020-RA
NEMA 4 Plunger Style Door Switch	9503SD020-P-4
Thermostat 2-Pole	9502DS2T-P
Locking Cover for Thermostat	95022E999