



# INDUSTRIAL BELT DRIVE 30

## Ambient (Unheated) Air Curtain

### Data Sheet

For Door Heights To 30' (environmental separation) and 28' (insect control)

#### STANDARD CONSTRUCTION

- Single speed T.E.F.C. motor - belt drive
- Gray powder coated exterior (Optional: Custom Color or Stainless)
- Split cabinet construction for fan assembly removal
- Removable access panels
- Top Mounting only
- Front air intake (Optional: top)
- High efficiency Pro-V Nozzle
- Motor location top right (Optional: top left, front left or front right)



Berner International certifies that the air curtains shown herein are licensed to bear the AMCA Seal. The ratings shown are based on tests and procedures performed in accordance with AMCA Publication 211 and comply with the requirements of the AMCA Certified Ratings Program. Rated data shown is for base (unheated) units. The AMCA Certified Ratings Seal applies to airflow rate, average outlet velocity, outlet velocity uniformity, velocity projection and power rating at free delivery only.

Models IBC30-1132A, IBC30-1156A and IBC30-1180A are not licensed to bear the AMCA seal.

**5 Year  
Limited  
Warranty**



MODEL	Nozzle Width (in)	Max Vel. at Nozzle (fpm)	Avg. Outlet Vel. (fpm)	Air Volume (cfm)	Outlet Vel. Uniformity	Power Rating (kW)	Motor @ HP	Net Wt. (lbs)
IBC30-1096A	96.00	7,590	3,800	20,240	79%	15.90	1 @ 15	960
IBC30-1108A	108.00	6,429	3,215	19,287	86%	14.60	1 @ 15	1,000
IBC30-1120A	116.00	7,395	3,800	24,650	89%	20.80	1 @ 20	1,050
<i>IBC30-1132A</i>	<i>132.00</i>	<i>6,868</i>	<i>3,434</i>	<i>25,183</i>	<i>87%</i>	<i>20.40</i>	<i>1 @ 20</i>	<i>1,150</i>
IBC30-1144A	144.00	6,429	3,215	25,716	86%	19.50	1 @ 20	1,250
<i>IBC30-1156A</i>	<i>156.00</i>	<i>5,996</i>	<i>2,998</i>	<i>25,983</i>	<i>85%</i>	<i>20.80</i>	<i>1 @ 20</i>	<i>1,350</i>
IBC30-1168A	168.00	7,330	3,665	34,206	86%	26.40	1 @ 25	1,450
<i>IBC30-1180A</i>	<i>180.00</i>	<i>6,948</i>	<i>3,474</i>	<i>34,739</i>	<i>85%</i>	<i>26.60</i>	<i>1 @ 25</i>	<i>1,550</i>
IBC30-1192A	192.00	7,590	3,800	40,480	79%	31.80	1 @ 30	1,650

#### NOTES:

1. Operation at 50 Hz will generate approximately a 17% reduction in air performance.
2. Vertically mounted Industrial Belt Drive air curtains not available.

See sheet EP-460 for amp draws/total load requirements.

#### VELOCITY PROFILE: Model IBC30-1096A

Distance from Nozzle (ft)	3	15	27
Core Velocity (fpm)	5072	2513	1918

### MODEL NUMBER CONFIGURATION

## IBC30-1 096 A D-F-T-SS

Series	# of Motors	Opening Width	Heat	Voltage	Intake	Motor Location	Opt. Cabinet Finish
IBC30	1	096" - 192"	A=Ambient	D=208/3/60 E=240/3/60 H=480/3/60 I=600/3/60 T=380/3/50	T=Top F=Front	T=Top F=Front	SS=Stainless Steel CC=Custom Color

Sound level measured 10' (3m) from the unit in free field:  
15, 20, 25 & 30 hp motor(s):  
85 dBA, 86 dBA, 87 dBA & 88 dBA  
Sound data is not AMCA certified.

Berner reserves the right to alter specifications without prior notice.



# INDUSTRIAL BELT DRIVE 30

Ambient (Unheated) Air Curtain

Electrical Performance Sheet

MODEL	Qty @ HP	# CKTS	208/3/60 (voltage code D) MOTOR AMP DRAW PER HP		# CKTS	240/3/60 (voltage code E) MOTOR AMP DRAW PER HP		# CKTS	480/3/60 (voltage code H) MOTOR AMP DRAW PER HP	
			AMPS PER CIRCUIT	BREAKER RATING PER CIRCUIT		AMPS PER CIRCUIT	BREAKER RATING PER CIRCUIT		AMPS PER CIRCUIT	BREAKER RATING PER CIRCUIT
IBC30-1096A IBC30-1108A	1 @ 15	1	40.0	90	1	37.0	80	1	18.4	40
IBC30-1120A IBC30-1132A IBC30-1144A IBC30-1156A	1 @ 20	1	53.4	125	1	47.0	100	1	23.7	50
IBC30-1168A IBC30-1180A	1 @ 25	1	65.0	150	1	59.0	125	1	29.3	60
IBC30-1192A	1 @ 30	1	78.0	175	1	70.0	150	1	35.0	75

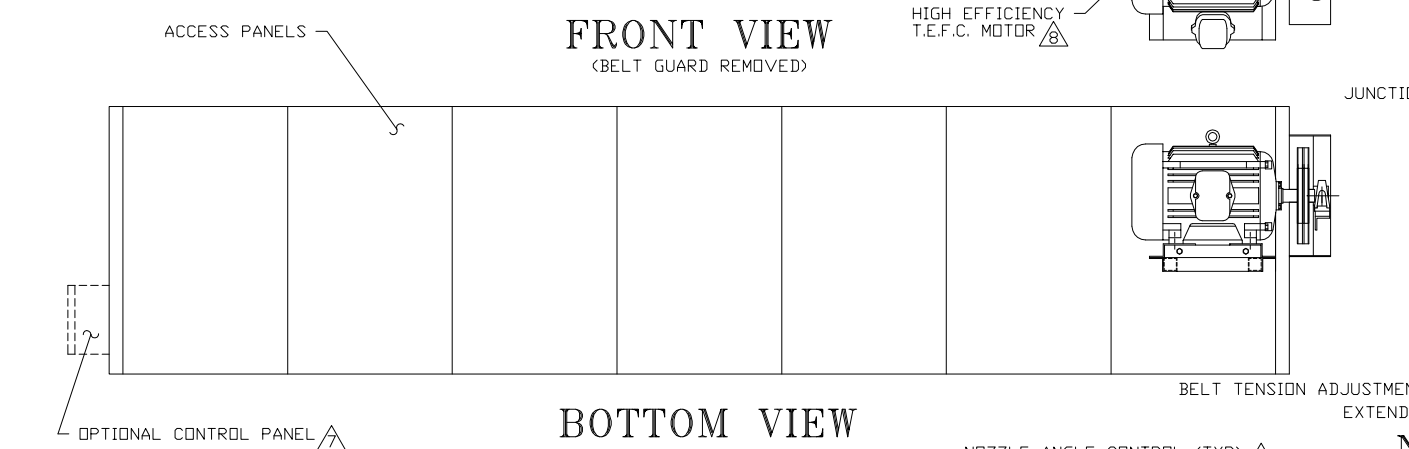
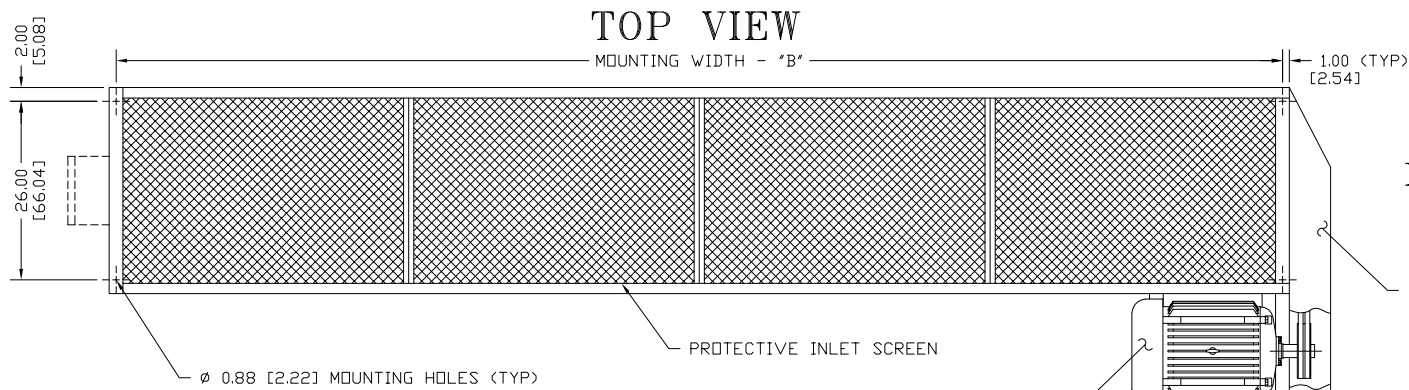
MODEL	Qty @ HP	# CKTS	600/3/60 (voltage code I) MOTOR AMP DRAW PER HP		# CKTS	380/3/50 (voltage code T) MOTOR AMP DRAW PER HP	
			AMPS PER CIRCUIT	BREAKER RATING PER CIRCUIT		AMPS PER CIRCUIT	BREAKER RATING PER CIRCUIT
IBC30-1096A IBC30-1108A	1 @ 15	1	14.6	30	1	23.0	40
IBC30-1120A IBC30-1132A IBC30-1144A IBC30-1156A	1 @ 20	1	19.0	40	1	30.5	50
IBC30-1168A IBC30-1180A	1 @ 25	1	23.4	50	1	39.1	60
IBC30-1192A	1 @ 30	1	28.1	60	1	47.5	75

Berner reserves the right to alter specifications without prior notice.

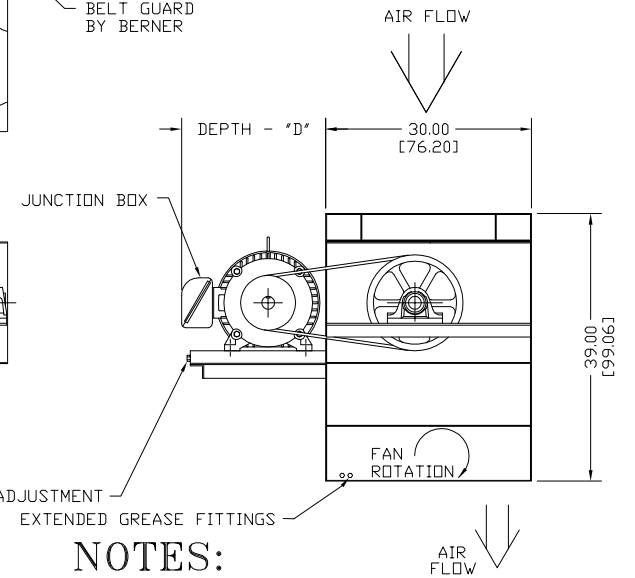
[www.berner.com](http://www.berner.com) **Berner International Corporation** 800.245-4455  
111 Progress Ave. / New Castle / PA / 16101 / USA

EP-460  
January, 2015

# IBC30 AMBIENT SYSTEM TOP INTAKE FRONT MOTOR MOUNT



## END VIEW (BELT GUARD REMOVED)

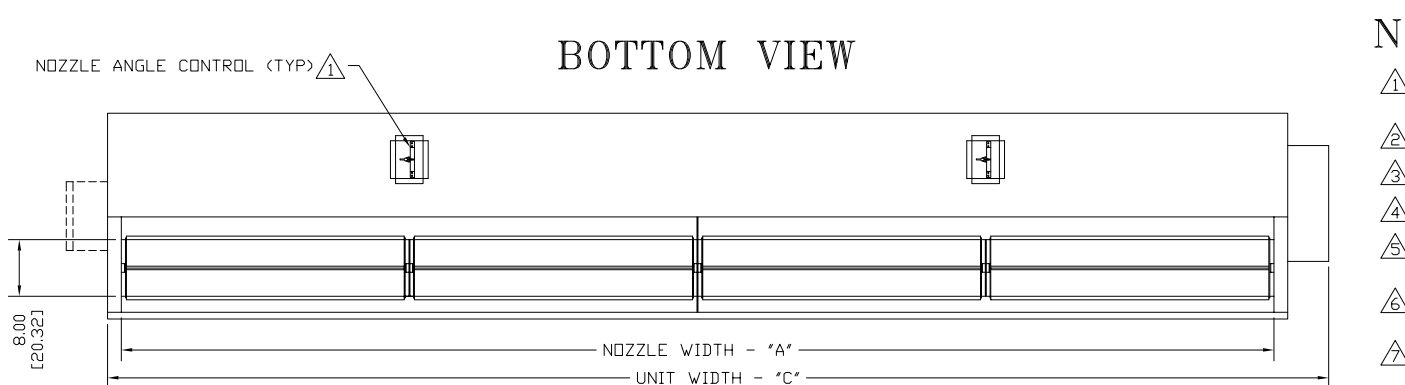
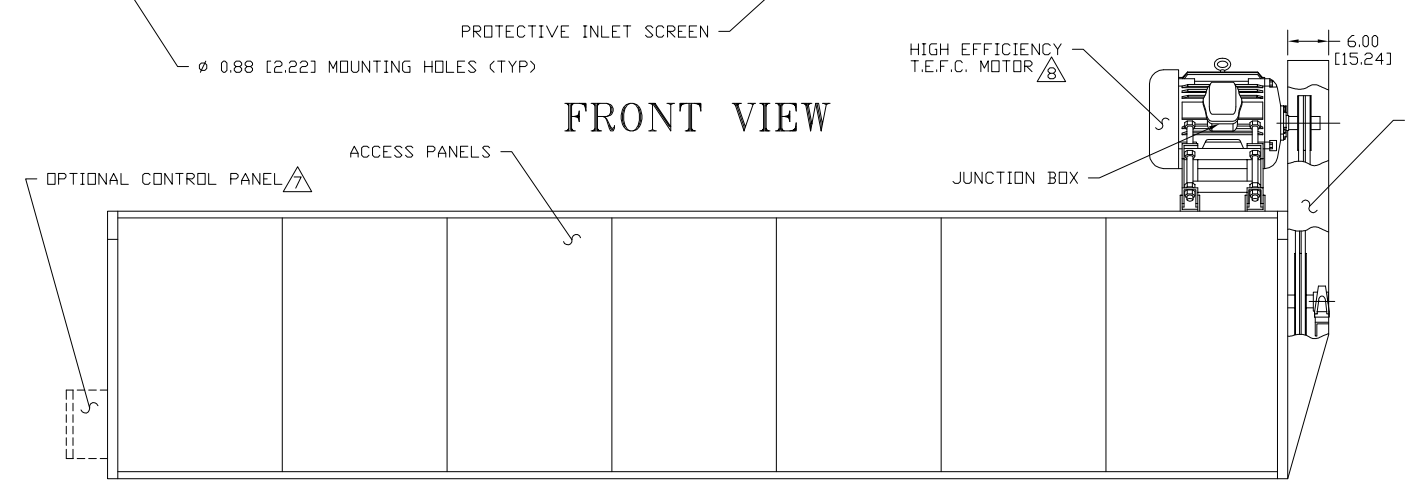
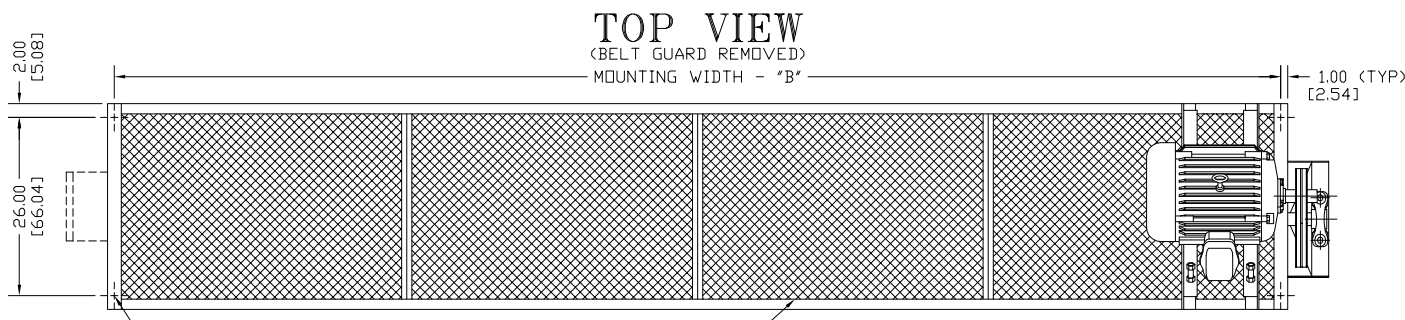


## NOTES:

- ① AIR CURTAIN MUST BE INSTALLED SO AIR STREAM IS NOT OBSTRUCTED WHEN DEFLECTED 20° TO EITHER SIDE OF C.
- ② ELECTRICAL CONNECTIONS TO BE FLEXIBLE.
- ③ FIELD VERIFY DIMENSIONS.
- ④ ANCHORS TO SUPPORTING STRUCTURE BY OTHERS.
- ⑤ ADEQUACY OF SUPPORTING STRUCTURE IS TO BE VERIFIED BY A PROFESSIONAL STRUCTURAL ENGINEER.
- ⑥ LETTER "A" IN MODEL NUMBER DESIGNATES, AN AMBIENT UNIT. "T" DESIGNATES TOP INTAKE, "F" IS FRONT MOTOR.
- ⑦ OPTIONAL CONTROL PANEL AVAILABLE: LEFT HAND MOUNT, RIGHT HAND MOUNT, OR REMOTE. PLEASE SPECIFY.
- ⑧ MOTOR MOUNT LOCATION AS SHOWN, OPPOSITE AND FRONT MOUNTING LOCATION AVAILABLE, PLEASE SPECIFY.
- ⑨ DIMENSIONS IN INCHES [CENTIMETERS].

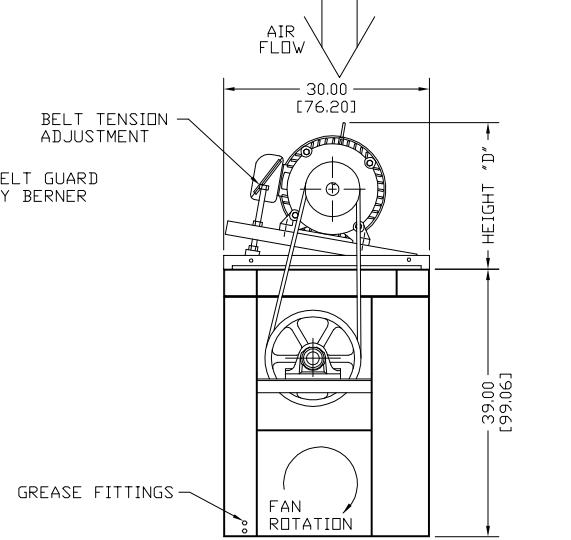
MODEL ⑥	NOZZLE WIDTH "A"	MOUNTING WIDTH "B"	UNIT WIDTH "C"	MAX MOTOR HEIGHT "D"
IBC30-1096A-TF	96.00 [243.84]	98.00 [248.92]	106.00 [269.24]	20.50 [52.07]
IBC30-1108A-TF	108.00 [274.32]	110.00 [279.40]	118.00 [299.72]	20.50 [52.07]
IBC30-1120A-TF	116.00 [294.64]	118.00 [299.72]	126.00 [320.04]	20.50 [52.07]
IBC30-1132A-TF	132.00 [335.28]	134.00 [340.36]	142.00 [360.68]	20.50 [52.07]
IBC30-1144A-TF	144.00 [365.76]	146.00 [370.84]	154.00 [391.16]	24.50 [62.23]
IBC30-1156A-TF	156.00 [396.24]	158.00 [401.32]	166.00 [421.64]	24.50 [62.23]
IBC30-1168A-TF	168.00 [426.72]	170.00 [431.80]	178.00 [452.12]	24.50 [62.23]
IBC30-1180A-TF	180.00 [457.20]	182.00 [462.28]	190.00 [482.60]	27.50 [69.85]
IBC30-1192A-TF	192.00 [487.68]	194.00 [492.76]	202.00 [513.08]	27.50 [69.85]

PROJECT		TITLE: <b>BERNER</b> MODEL IBC30 AIR CURTAIN TOP INTAKE AMBIENT SYSTEM
LOCATION		
ARCHITECT		BY: S. Beil
ENGINEER		
DWG. NO.	IBC30-AMB1	REPLACES: - BY: -
DATE	12 JUNE 14	
BERNER INTERNATIONAL CORP. NEW CASTLE, PA.		



# IBC30 AMBIENT SYSTEM TOP INTAKE TOP MOTOR MOUNT

## END VIEW (BELT GUARD REMOVED)



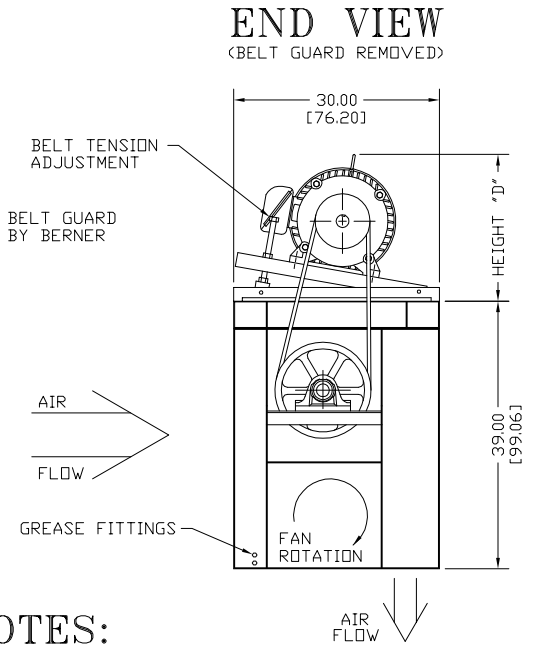
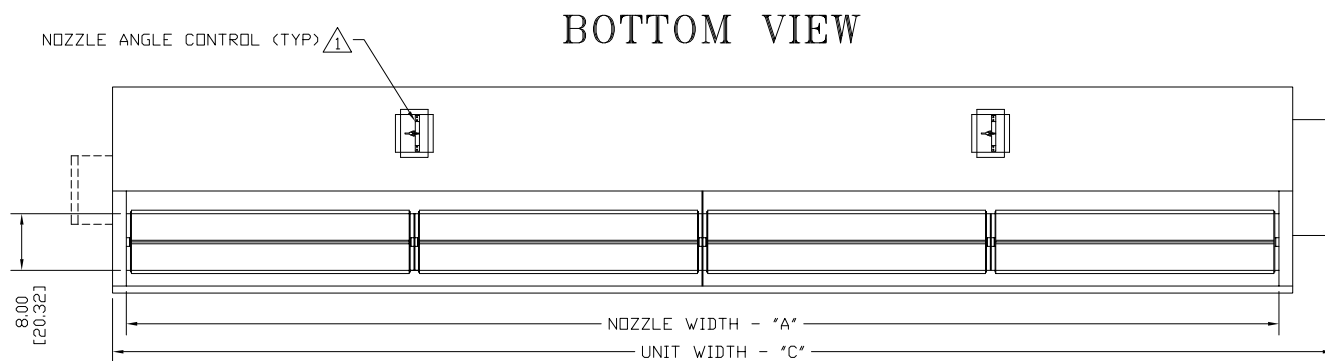
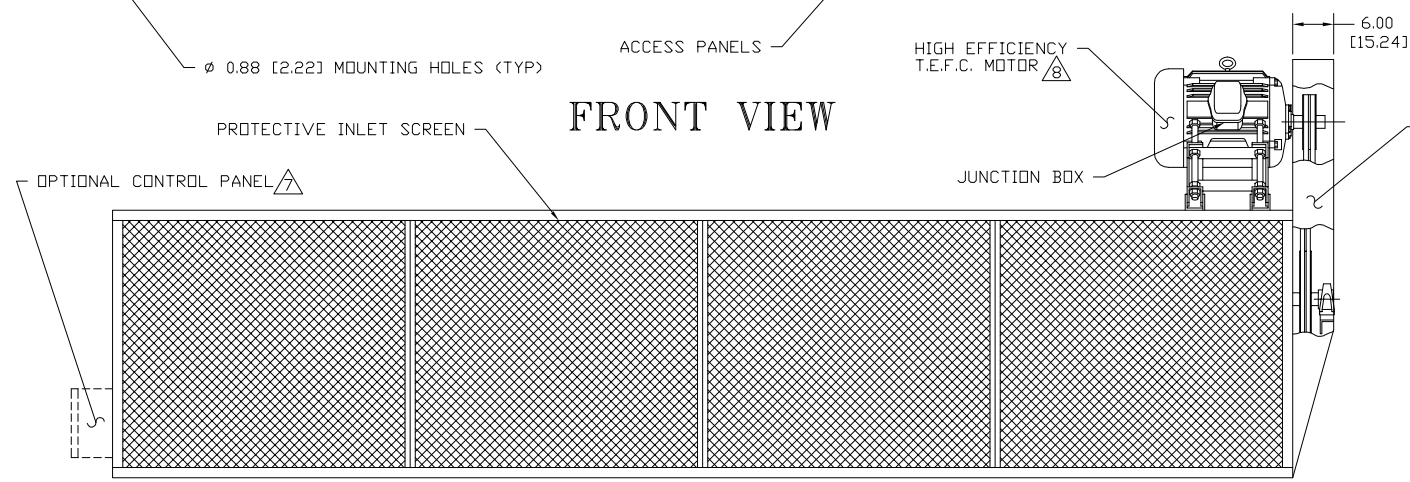
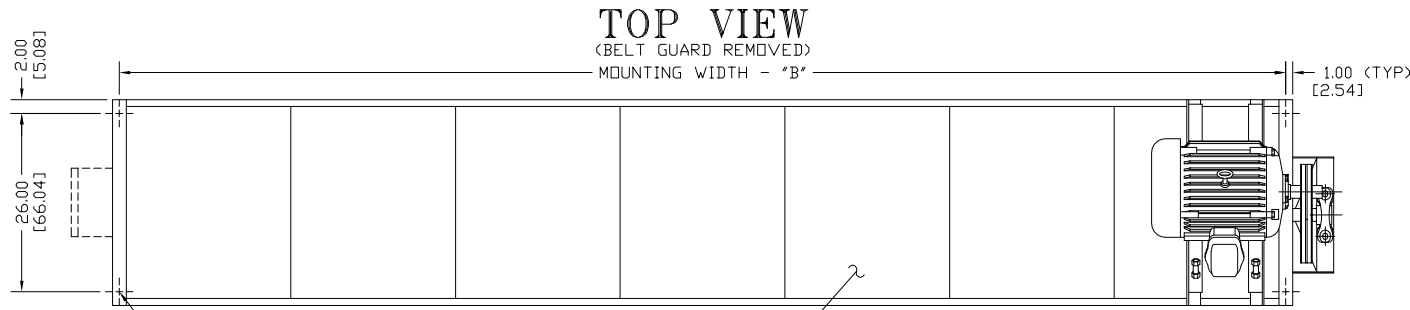
### NOTES:

- ① AIR CURTAIN MUST BE INSTALLED SO AIR STREAM IS NOT OBSTRUCTED WHEN DEFLECTED 20° TO EITHER SIDE OF C.
- ② ELECTRICAL CONNECTIONS TO BE FLEXIBLE.
- ③ FIELD VERIFY DIMENSIONS.
- ④ ANCHORS TO SUPPORTING STRUCTURE BY OTHERS.
- ⑤ ADEQUACY OF SUPPORTING STRUCTURE IS TO BE VERIFIED BY A PROFESSIONAL STRUCTURAL ENGINEER.
- ⑥ LETTER "A" IN MODEL NUMBER DESIGNATES, AN AMBIENT UNIT. "T" DESIGNATES TOP INTAKE, "T" IS TOP MOTOR.
- ⑦ OPTIONAL CONTROL PANEL AVAILABLE: LEFT HAND MOUNT, RIGHT HAND MOUNT, OR REMOTE. PLEASE SPECIFY.
- ⑧ MOTOR MOUNT LOCATION AS SHOWN, OPPOSITE AND FRONT MOUNTING LOCATION AVAILABLE, PLEASE SPECIFY.
- ⑨ DIMENSIONS IN INCHES [CENTIMETERS].

MODEL ⑥	NOZZLE WIDTH "A"	MOUNTING WIDTH "B"	UNIT WIDTH "C"	MAX MOTOR HEIGHT "D"
IBC30-1096A-TT	96.00 [243.84]	98.00 [248.92]	106.00 [269.24]	20.50 [52.07]
IBC30-1108A-TT	108.00 [274.32]	110.00 [279.40]	118.00 [299.72]	20.50 [52.07]
IBC30-1120A-TT	116.00 [294.64]	118.00 [299.72]	126.00 [320.04]	20.50 [52.07]
IBC30-1132A-TT	132.00 [335.28]	134.00 [340.36]	142.00 [360.68]	20.50 [52.07]
IBC30-1144A-TT	144.00 [365.76]	146.00 [370.84]	154.00 [391.16]	22.00 [55.88]
IBC30-1156A-TT	156.00 [396.24]	158.00 [401.32]	166.00 [421.64]	22.00 [55.88]
IBC30-1168A-TT	168.00 [426.72]	170.00 [431.80]	178.00 [452.12]	22.00 [55.88]
IBC30-1180A-TT	180.00 [457.20]	182.00 [462.28]	190.00 [482.60]	22.00 [55.88]
IBC30-1192A-TT	192.00 [487.68]	194.00 [492.76]	202.00 [513.08]	25.00 [63.50]

PROJECT		TITLE: <b>BERNER</b>
LOCATION		MODEL IBC30 AIR CURTAIN
ARCHITECT		TOP INTAKE AMBIENT SYSTEM
ENGINEER		
DWG. NO.	IBC30-AMB2	
DATE	12 JUNE 14	
BY	S. Beil	
REPLACES	-	
BY	-	BERNER INTERNATIONAL CORP. NEW CASTLE, PA.

# IBC30 AMBIENT SYSTEM FRONT INTAKE TOP MOTOR MOUNT



## NOTES:

- 1 AIR CURTAIN MUST BE INSTALLED SO AIR STREAM IS NOT OBSTRUCTED WHEN DEFLECTED 20° TO EITHER SIDE OF C.
- 2 ELECTRICAL CONNECTIONS TO BE FLEXIBLE.
- 3 FIELD VERIFY DIMENSIONS.
- 4 ANCHORS TO SUPPORTING STRUCTURE BY OTHERS.
- 5 ADEQUACY OF SUPPORTING STRUCTURE IS TO BE VERIFIED BY A PROFESSIONAL STRUCTURAL ENGINEER.
- 6 LETTER "A" IN MODEL NUMBER DESIGNATES, AN AMBIENT UNIT. "F" DESIGNATES FRONT INTAKE, "T" IS TOP MOTOR.
- 7 OPTIONAL CONTROL PANEL AVAILABLE: LEFT HAND MOUNT, RIGHT HAND MOUNT, OR REMOTE. PLEASE SPECIFY.
- 8 MOTOR MOUNT LOCATION AS SHOWN, OPPOSITE AND FRONT MOUNTING LOCATION AVAILABLE, PLEASE SPECIFY.
- 9 DIMENSIONS IN INCHES [CENTIMETERS].

MODEL	NOZZLE WIDTH "A"	MOUNTING WIDTH "B"	UNIT WIDTH "C"	MAX MOTOR HEIGHT "D"
IBC30-1096A-FT	96.00 [243.84]	98.00 [248.92]	106.00 [269.24]	20.50 [52.07]
IBC30-1108A-FT	108.00 [274.32]	110.00 [279.40]	118.00 [299.72]	20.50 [52.07]
IBC30-1120A-FT	116.00 [294.64]	118.00 [299.72]	126.00 [320.04]	20.50 [52.07]
IBC30-1132A-FT	132.00 [335.28]	134.00 [340.36]	142.00 [360.68]	20.50 [52.07]
IBC30-1144A-FT	144.00 [365.76]	146.00 [370.84]	154.00 [391.16]	22.00 [55.88]
IBC30-1156A-FT	156.00 [396.24]	158.00 [401.32]	166.00 [421.64]	22.00 [55.88]
IBC30-1168A-FT	168.00 [426.72]	170.00 [431.80]	178.00 [452.12]	22.00 [55.88]
IBC30-1180A-FT	180.00 [457.20]	182.00 [462.28]	190.00 [482.60]	22.00 [55.88]
IBC30-1192A-FT	192.00 [487.68]	194.00 [492.76]	202.00 [513.08]	25.00 [63.50]

PROJECT		TITLE: <b>BERNER</b>
LOCATION		MODEL IBC30 AIR CURTAIN
ARCHITECT		FRONT INTAKE AMBIENT SYSTEM
ENGINEER		
DWG. NO.	IBC30-AMB3	
DATE	12 JUNE 14	
BY	S. Beil	
REPLACES	-	
BY	-	BERNER INTERNATIONAL CORP. NEW CASTLE, PA.